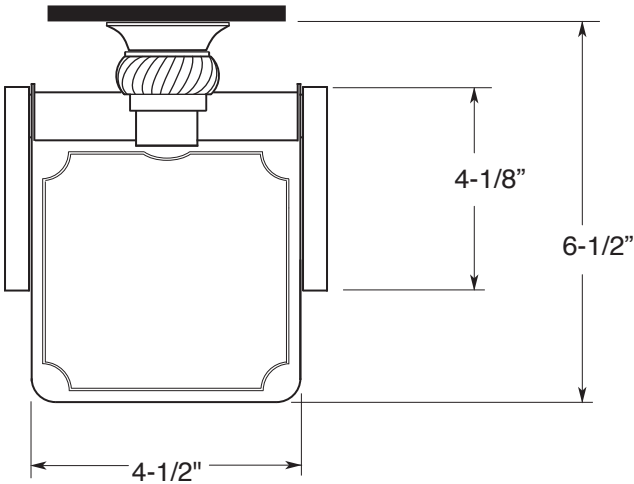


**FEATURES:**

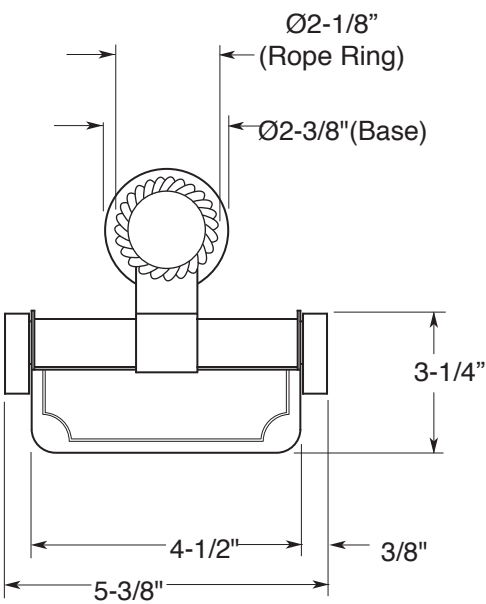
- All brass construction.
- Decorative ring included - see catalog for available ring selection.
- Available in all Sigma finishes. Warranty varies according to finish selection.
- Mounting brackets and screws are supplied.

**Accessories**

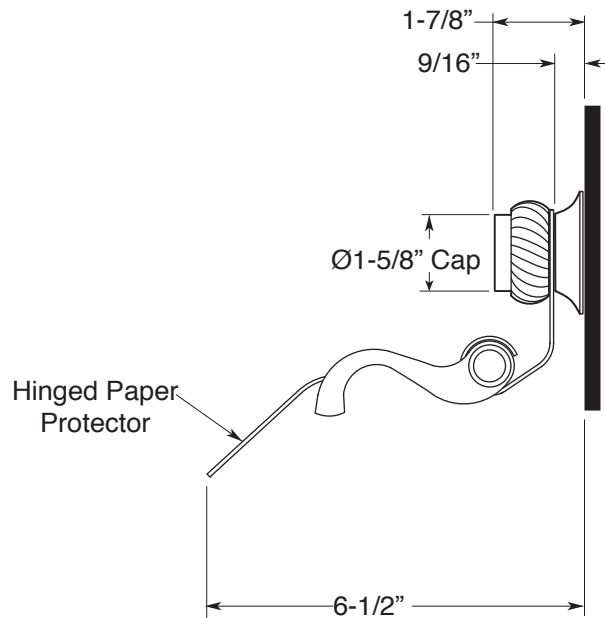
Series 06  
**Paper Holder**  
1.06PH00



**TOP VIEW**



**FRONT VIEW**



**SIDE VIEW**

Note: Measurements are subject to change or cancellation. No responsibility is assumed for use of superseded or voided pages.