



CRITICAL INSTALLATION INFORMATION
Please read carefully all items marked with this symbol before beginning installation.

SIGMA.

PRECISION CRAFTED

2600 Series Wall Lavatory Faucet
 Installation Instructions

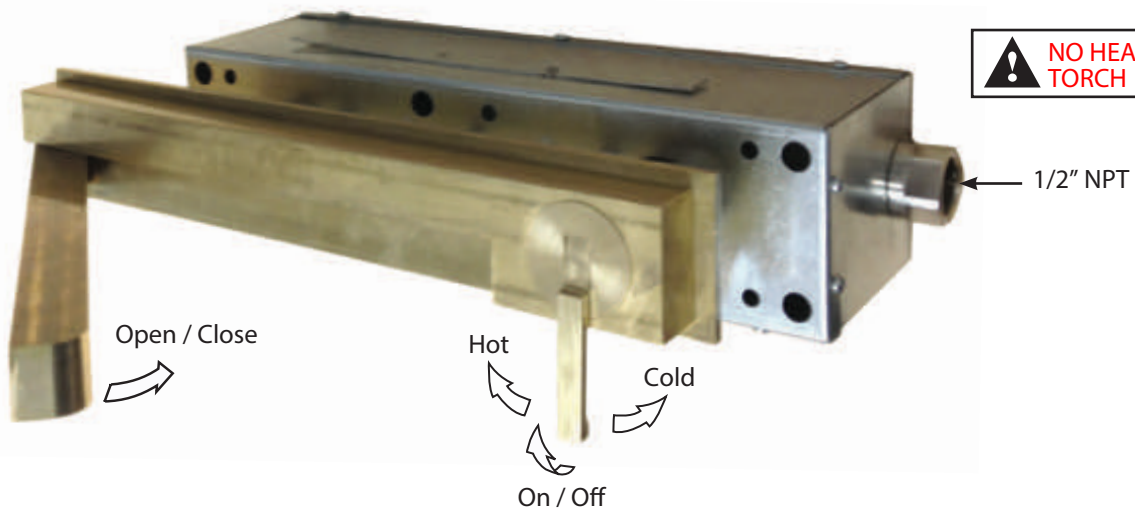
Please leave this form with product once installed.

PLEASE INSPECT PRODUCT PRIOR TO INSTALLING. Carefully review all pre-assembled parts. It will be necessary for the various parts to be re-assembled exactly as shown. NOTICE: These instructions do not represent step-by-step directions. They are a product supplement only to be used by a qualified/licensed plumber. We recommend all plumbing fixtures be installed by a professional.

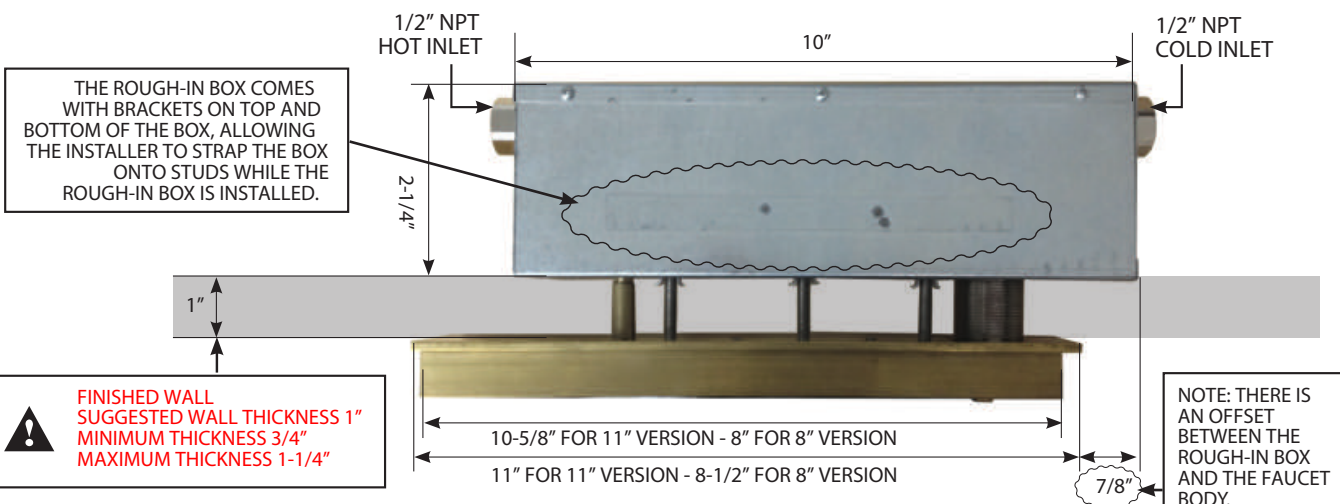
Care Instructions:

The product you have just purchased is designed to provide you with long lasting beauty and dependability. To ensure your product's longevity, please follow the following care instructions.

When installing, we recommend you lay all parts on a soft cloth or towel to avoid scratching or damaging the product. To care for your fitting, wipe with a clean, soft, damp cloth and blot dry as often as possible. Never use abrasive cleansers, sponges, or acidic cleaning products as these may damage the finish and may VOID THE WARRANTY.



TOP VIEW





CRITICAL INSTALLATION INFORMATION
 Please read carefully all items marked with
 this symbol before beginning installation.

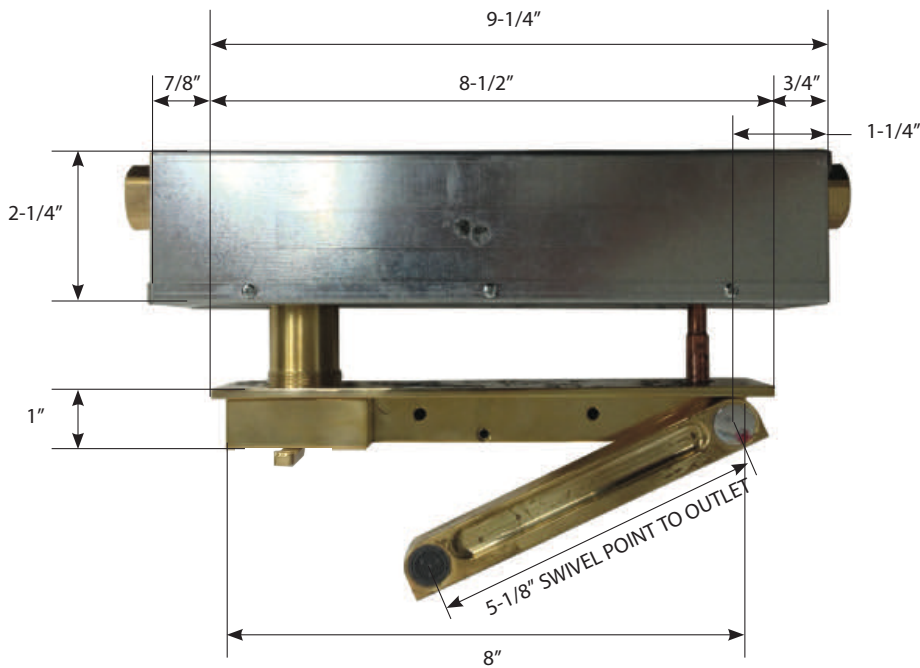
SIGMA.

PRECISION CRAFTED

2600 Series Wall Lavatory Faucet
 Installation Instructions

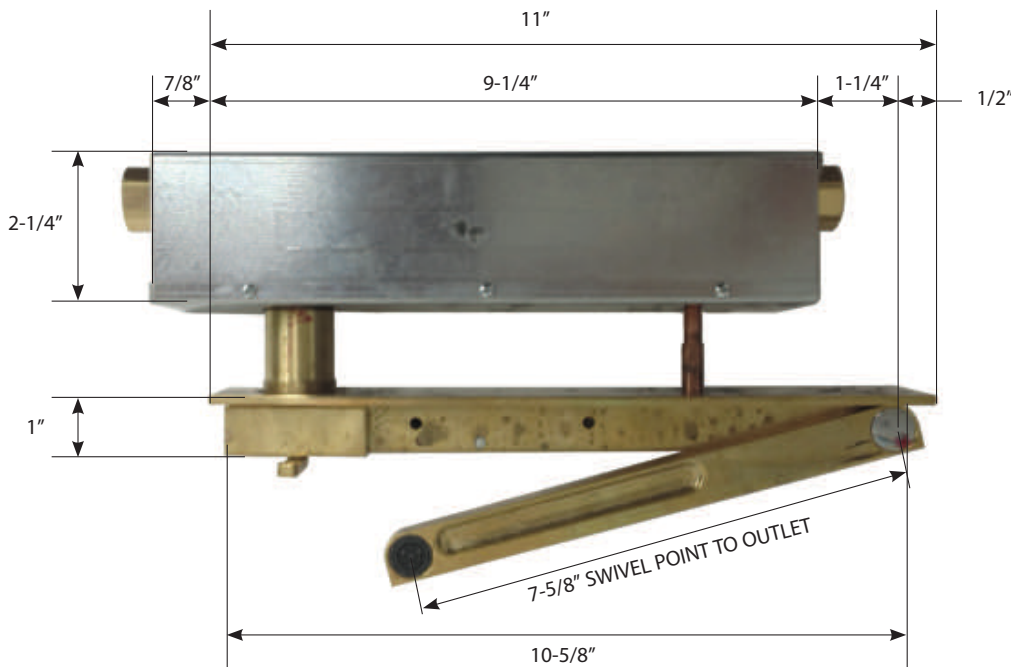
Please leave this form with product once installed.

8" VERSION BOTTOM VIEW



INSTALLER NOTE:
 THE ALIGNMENT OF THE
 FAUCET TRIM WITH THE
 ROUGH-IN BOX WILL VARY FOR
 THE 8" AND 11" VERSIONS.
 CAREFULLY CHECK
 THE ASSEMBLED DIMENSIONS
 BEFORE INSTALLATION.

11" VERSION BOTTOM VIEW





CRITICAL INSTALLATION INFORMATION
Please read carefully all items marked with this symbol before beginning installation.

SIGMA

PRECISION CRAFTED

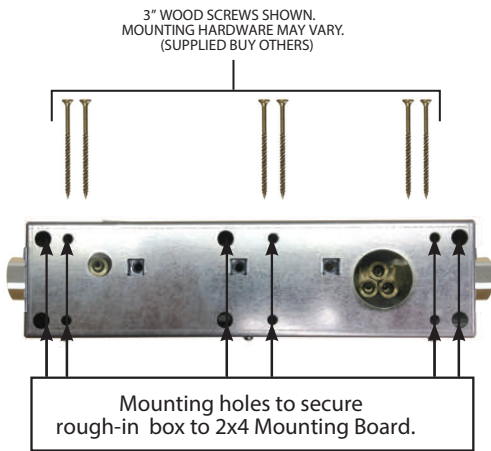
2600 Series Wall Lavatory Faucet
 Installation Instructions

Please leave this form with product once installed.

Step 1: Cut a 2 x 4 to the length of the distance in-between your in-wall studs. Install the 2 x 4 in-between the in-wall studs to use as a mounting board. Note: install the mounting board at the correct distance so Rough-in box will not be installed any further than 1-1/4" behind finished wall. Using screws or nuts and bolts (supplied by others), install Rough-in Box to correct depth. Rough-in Box cannot be installed further than 1-1/4" behind finished wall.

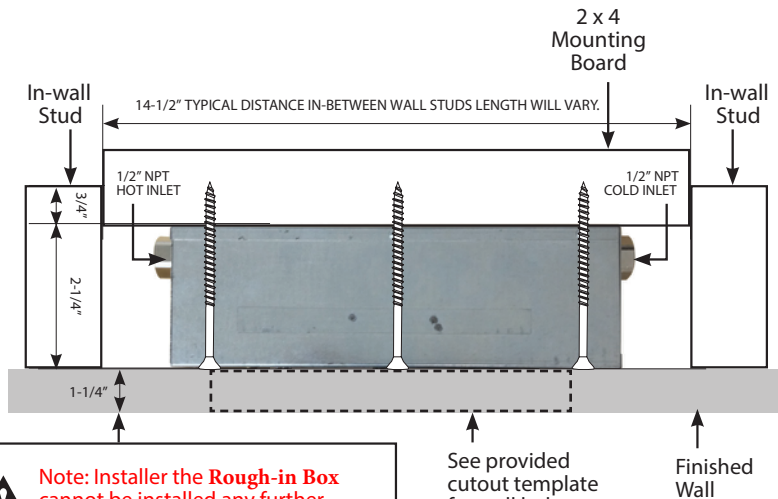
After Rough-in Box is mounted level, plumb in the hot and cold inlets.
 See Page (6) for Full Scale cut out template for finished wall hole needed for trim installation.

FRONT VIEW (ROUGH-IN BOX)



NO HEAT NO TORCH

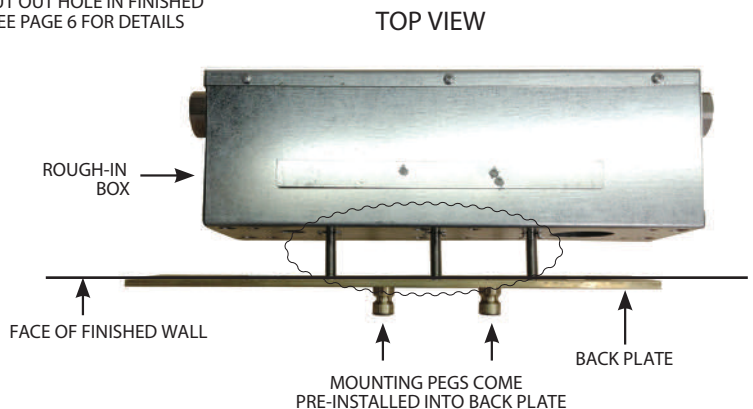
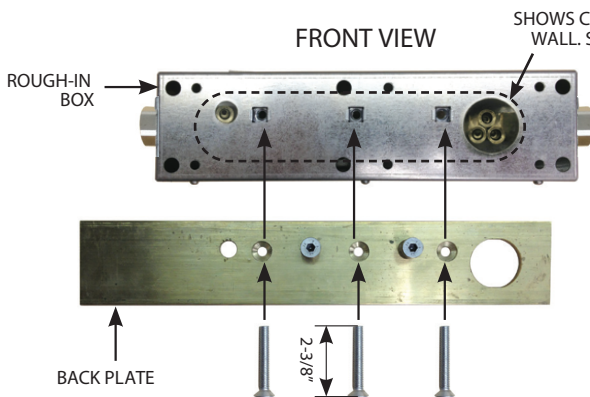
TOP VIEW (ROUGH-IN BOX)



Note: Installer the Rough-in Box cannot be installed any further than 1-1/4" behind finished wall.

See provided cutout template for wall hole needed for installation

Step 2: Use a 4mm hex wrench to install back plate using 3 screws provided. The 3 screws go through the counter sunk holes on the back plate and into the threaded holes on the rough-in box. Back Plate will be flush with finished wall.





CRITICAL INSTALLATION INFORMATION
Please read carefully all items marked with this symbol before beginning installation.

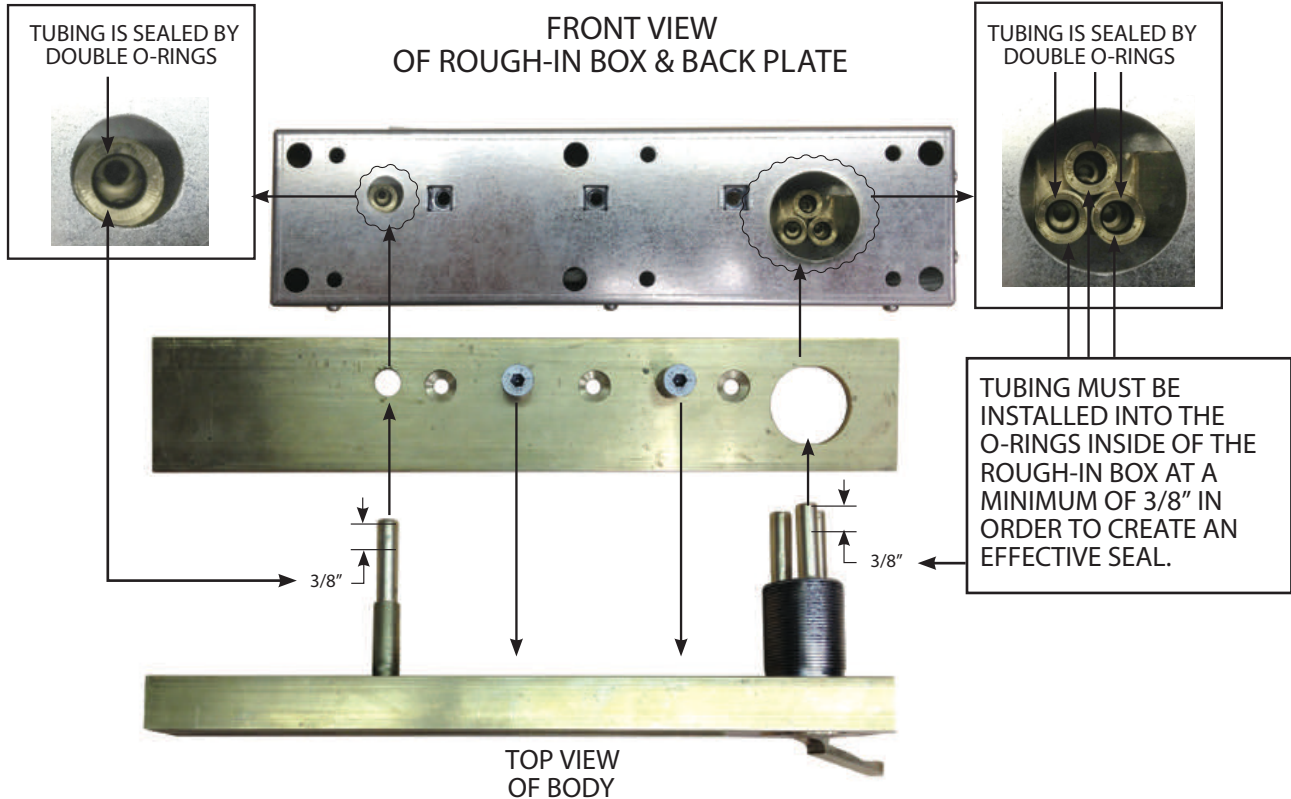
SIGMA.

PRECISION CRAFTED

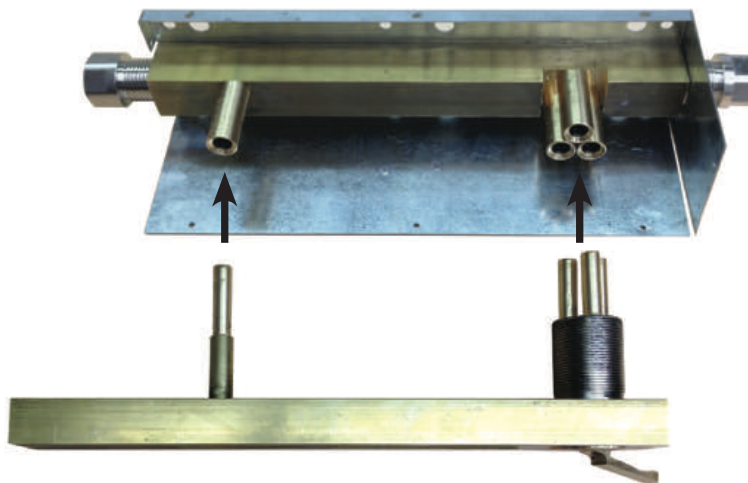
2600 Series Wall Lavatory Faucet Installation Instructions

Please leave this form with product once installed.

Step 3: Insert tubing on the body into inner tubing inside of the rough-in box. The tubing must be installed into the o-rings inside of the rough-in box at a minimum of 3/8" in order to create an effective seal.



VIEW INSIDE OF ROUGH-IN BOX





CRITICAL INSTALLATION INFORMATION
Please read carefully all items marked with
this symbol before beginning installation.

SIGMA.

PRECISION CRAFTED

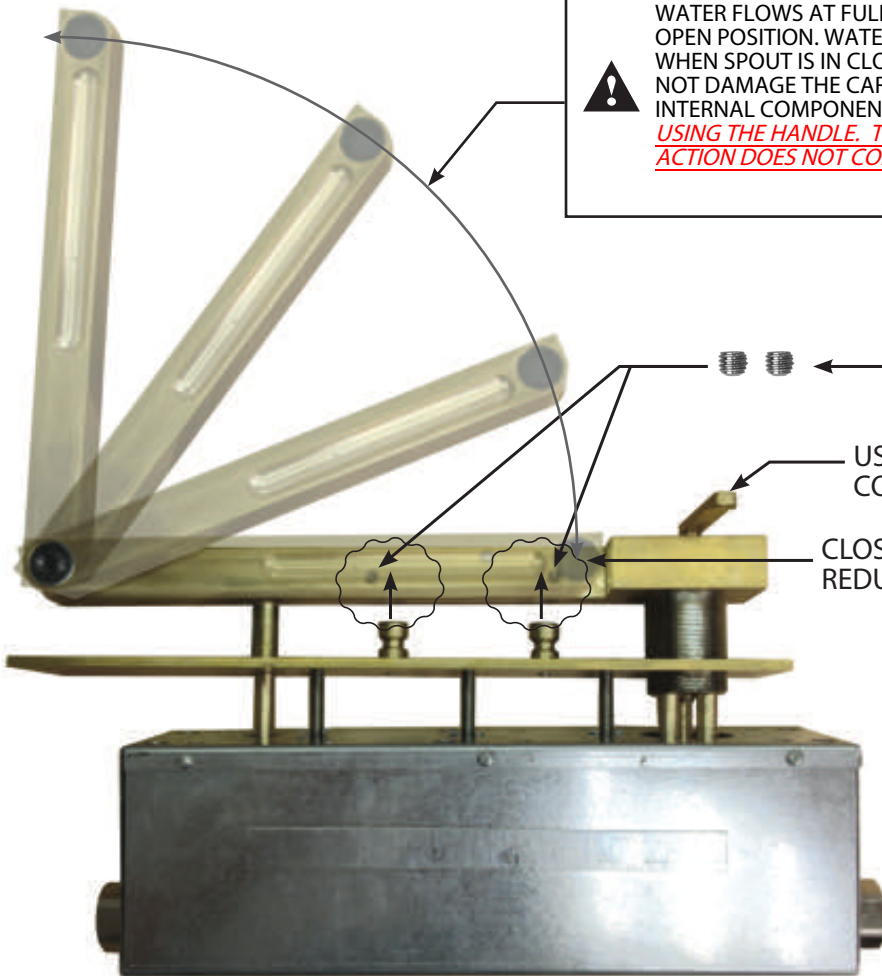
2600 Series Wall Lavatory Faucet
Installation Instructions

Please leave this form with product once installed.

Step 4: Use a 2.5mm hex wrench to tighten the 2 provided set screws onto the pegs that are pre-installed onto the back plate to secure the body onto the back plate.

BOTTOM VIEW

OPEN POSITIONS
FULL FLOW



WATER FLOWS AT FULL FLOW WHEN SPOUT IS IN OPEN POSITION. WATER FLOWS AT A REDUCED RATE WHEN SPOUT IS IN CLOSED POSITION. IN ORDER TO NOT DAMAGE THE CARTRIDGE OR ANY OTHER INTERNAL COMPONENTS, WATER MUST BE SHUT-OFF USING THE HANDLE. THE OPENING AND CLOSING ACTION DOES NOT CONTROL THE WATER SUPPLY.

THE BODY IS HELD ONTO THE PLATE BY THESE 2 SET SCREWS

USE HANDLE TO CONTROL WATER SUPPLY.

CLOSED POSITIONS
REDUCED FLOW

Product/Finish Warranty: American Faucet & Coatings Corporation warrants that products are free from defects in materials and workmanship for five (5) years from date of invoice. In addition, our Finish Warranty provides limited LIFETIME coverage for Chrome & PVD finishes, five (5) years for Omega powder coated finishes. Living finishes are war-ranted for workmanship only. If any material proves to be defective after inspection by our company, it will be repaired or replaced at our discretion at no charge. However, no claims for labor, shipping costs, or consequential damages will be accepted.

What we will do: We will restore any product whose finish proves to be defective back to its original finish at no charge during the appropriate warranty period stated above. Proof of purchase must be provided. After the warranty period, American Faucet and Coatings Corporation will refinish any of its faucets at the prevailing appropriate charge.

What you must do: The faucets must be properly installed according to our instructions and specifications & are for residential use only. The faucets cannot be altered in any way. You must maintain and clean the faucets in accordance with the instructions provided with the product. You must use the faucet(s) for residential use only.

How to obtain service: Contact our customer service by calling 800.960.BATH or send an email to customerservice@sigmafaucet.com. Please have you model number and proof of purchase available so we can better assist you.

We will then respond and take appropriate action. Do not send us any part(s) of your faucet(s) or its various connecting hoses unless we have contacted you and have sent you an approved RGA form. All transportation charges for returned goods must be paid by the customer.

What is not covered: This warranty does not cover the crystal/glass, or porcelain products of any faucet or the drain assembly or aerator on other than the Chrome or PVD finishes. This warranty also does not cover damage caused by accident, alterations, misuse, abuse, normal wear and tear, lime deposits, direct exposure to salty air or corrosive materials, or the color change that takes place with the passage of time, or use in any manner contrary to American Faucet and Coatings Corporation's printed instructions. In the case of in-the-wall installations American Faucet and Coatings Corp. will assume no liability if there is no access. **In no event will we be liable for labor of any kind, incidental or consequential damages.** This warranty is extended in lieu of all other expressed or implied warranties, whether oral or written. **Many installation compounds are harmful to brass and metal finishes. The use of any lead-based or acidic curing adhesive, silicone, mastic, or plumber's putty on or near our finished products will void the finish warranty. Use only sealants which are neutral curing and are not reactive with metal and brass finishes.** American Faucet & Coatings Corporation reserves the right to change, modify or alter its products as deemed necessary. This warranty super-sedes any other American Faucet & Coatings Corporation warranties, whether oral or written.

Unless otherwise contrary to state law governing the purchase, American Faucet and Coatings Corporation's liability will not exceed the wholesale price for the American Faucet and Coatings Corporation product considered defective. This warranty gives you specific legal rights, and you may also have other rights which vary from state to state. Some states do not allow exclusion of incidental or consequential damages, so the above limitation may not apply to you.

LIFETIME WARRANTY ON 1/4 TURN CERAMIC DISC CARTRIDGE

Should the ceramic disc cartridge in your faucet ever fail, American Faucet & Coatings Corporation will replace the failed part free of charge to the original purchaser of the product. Shipping and handling charges will apply. Labor not included. When ordering replacements, denote for widespread or centerset lavatory, Roman Tub, or other. Include age of faucet. (This does not include thermostatic, pressure balance, or diverter cartridges.)

CONSUMER WARNING CALIFORNIA PROPOSTION 65 WARNING

Among other chemicals known to cause harm, this faucet contains lead, a chemical known to the State of California to cause birth defects or other reproductive harm.

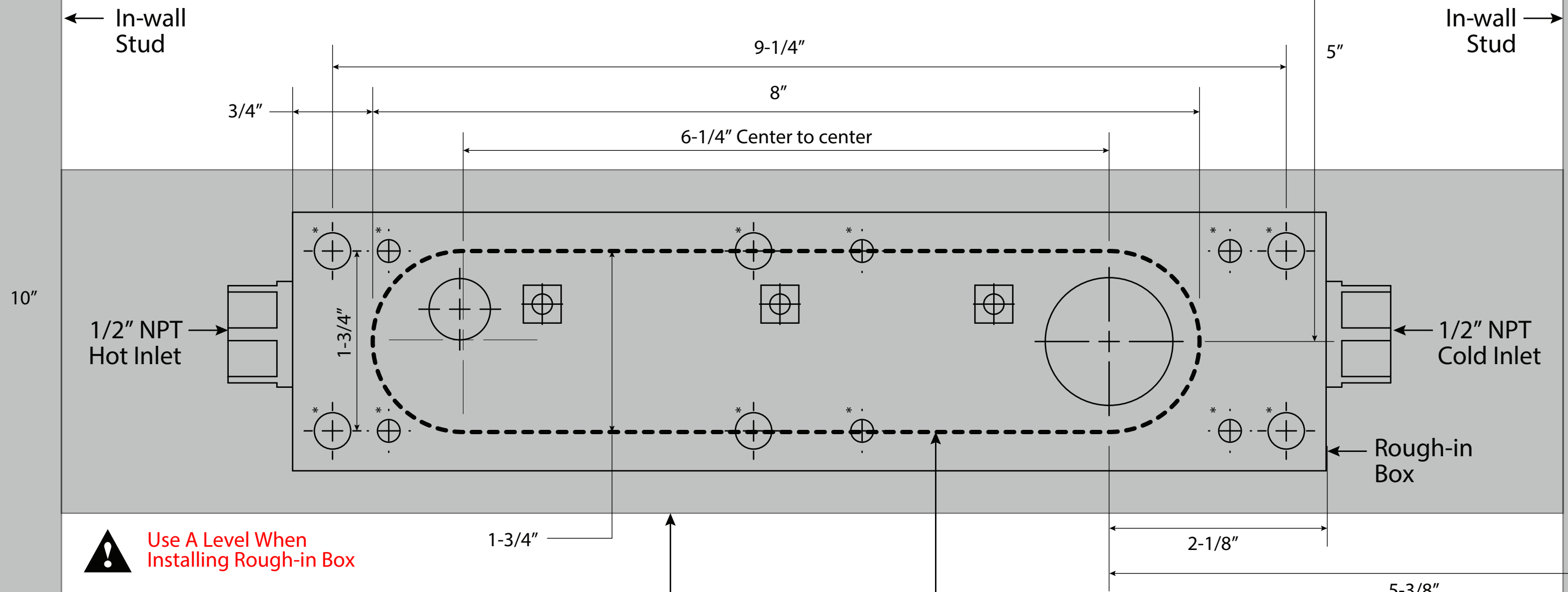
All faucets and products made of leaded brass alloys, even those that comply with U.S. Environmental Protection Agency regulations, contribute small amounts of lead to water that is allowed to stand in contact with the brass. This faucet complies with all E.P.A. regulations regarding the amount of lead used in plumbing brass and solder. The amount of lead contributed by any faucet is highest when the faucet is new. The following steps will reduce potential for exposure to lead from faucets and other parts of the plumbing system:

- Always run the water for a few seconds prior to use for drinking or cooking.
- Use only cold water for drinking or cooking.
- If you wish to flush the entire plumbing system of water that has been standing in the pipes or other fittings, run the cold water until the temperature of the water drops, indicating water coming from the outside main.
- If you are concerned about lead in your water, have your water tested.

2600 Wall Lavatory Faucet Cutout Template

1:1 Scale

14-1/2" typical distance between in-wall studs.



⚠ Use A Level When Installing Rough-in Box

⚠ Finished Wall Suggested Wall Thickness 1" Minimum Thickness 3/4" Maximum Thickness 1-1/4"

⚠ Rough-in Box Cannot Be Installed More Than 1-1/4" Behind Finished Wall.

⚠ No Heat No Torch

2 X 4 For Mounting Rough-in Box Installed Behind Rough-in Box In-between In-wall Studs

* Mounting Holes To Secure Rough-in Box To 2x4.

Finished Wall Cutout Template

Use this template for the cutout of your finished wall. This is the only hole you will need in finished wall for trim installation. It is important that the cutout on finished wall line up with the rough-in box as shown.

Dry Wall Cutout Template

If dry wall is installed in your home, use this cutout template to open your wall in order to plumb in the inlets for the rough-in box. Note: depending on your plumbing you may have to use a different size cutout.