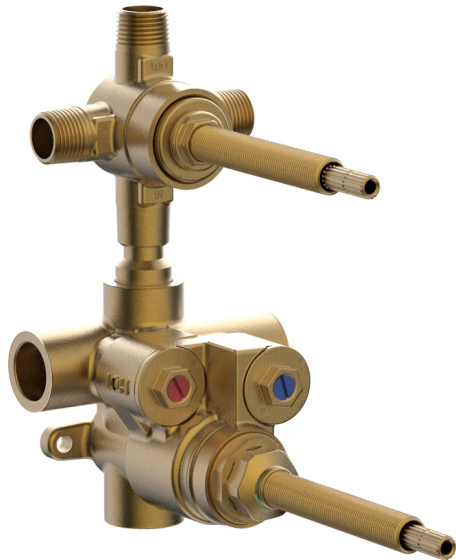


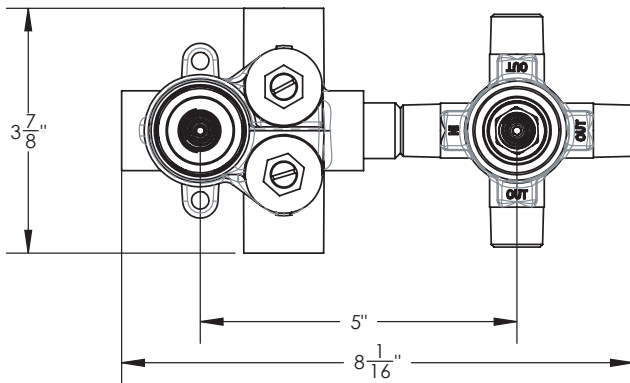
## 3/4" Thermostatic Valve w/ 3 - way Diverter (SHARED)

1-143



### VALVE SPECIFICATIONS

Female 3/4" NPT inlets and outlets  
 Factory temperature setting = 100°F (38°C)  
 Temperature range = 52° to 118°F (11°-48°C)  
 Temperature hot supply = 149° to 180°F (65°-82°C)  
 Temperature cold supply = 50° to 72°F (10°-22°C)  
 Temperature stability = ±32°F (0°C)



### CODES & STANDARDS



ASME A112.181/ CSA B125.1, ASME 112.18.2/ CSA B125.2, ANSI NSF, CEC, Watersense 61 Sect. 9, State of MA.

### WARRANTY

Mechanical Warranty: 10 Years from date of purchase.

