



neelnox

LET
THERE
BE **DESIGN.**

FEATURES

- Premium 304 Grade Stainless Steel
- Solid Mount Construction
- Concealed Installation Hardware
- Solid End Cap provided for side opposite to the door for a seamless look



Offset Door Handle
Shown with a small
Rosette



Small Rosette
(Dia 1 1/8")



Medium Rosette
(Dia 1 1/4")



Large Rosette
(Dia 1 1/2")

COLLECTION CELLO

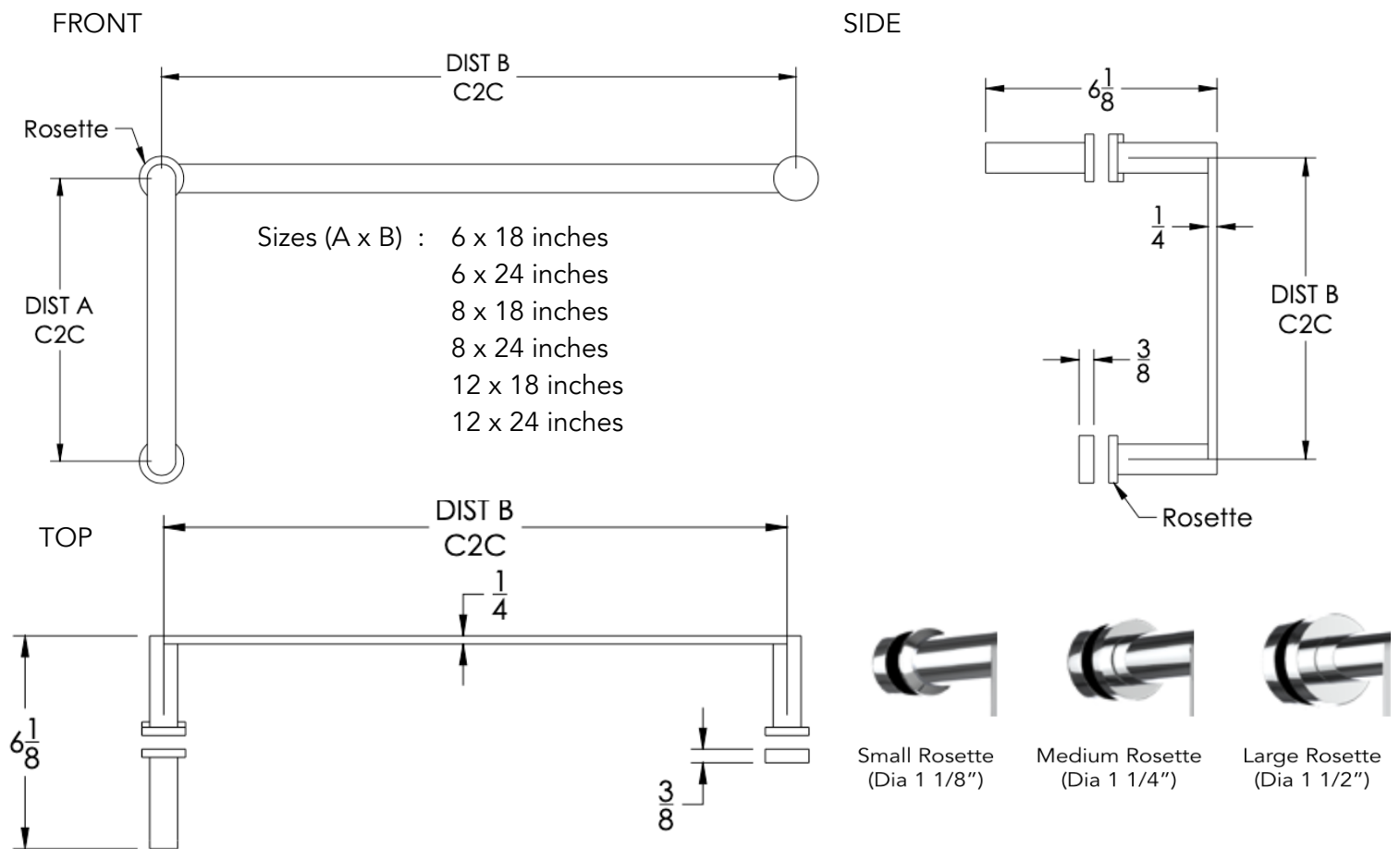
OFFSET DOOR HANDLE

Model	Product	Finishes Available
CEL-OSD <u>XX-XX</u>	Offset Door Handle	Multiple finishes available. Over 23 finishes to choose from.

FINISHES

Polished (-P)	Antique Copper (-ACOP)	Polished Gold (-PGLD)
Brushed (-B)	Polished Brass (-PBRS)	Brushed Copper (-BCOP)
Brushed Gold (-BGLD)	Matte White (-WHT)	Brushed Rose Gold (-BRGD)
Matte Black (-BLK)	Brushed Modern Bronze (-BMBRZ)	Brushed Black (-BRBLK)
Oil Rubbed Bronze (-ORB)	Glossy White (-GWHT)	Polished Black (-PBLK)
Brushed Brass (-BBRS)	Polished Rose Gold (-PRGD)	Antique Nickel (-ANKL)
Brushed Bronze (-BBRZ)	Unlacquered Brass (-UBRS)	Black Nickel (-NKBL)
Antique Brass (-ABRS)	Polished Nickel (-PNKL)	

C2C 'A'	C2C 'B'	Small Rosette	Medium Rosette	Large Rosette
6"	18"	CEL-OSD6X18-SR	CEL-OSD6X18-MR	CEL-OSD6X18-LR
6"	24"	CEL-OSD6X24-SR	CEL-OSD6X24-MR	CEL-OSD6X24-LR
8"	18"	CEL-OSD8X18-SR	CEL-OSD8X18-MR	CEL-OSD8X18-LR
8"	24"	CEL-OSD8X24-SR	CEL-OSD8X24-MR	CEL-OSD8X24-LR
12"	18"	CEL-OSD12X18-SR	CEL-OSD12X18-MR	CEL-OSD12X18-LR
12"	24"	CEL-OSD12X24-SR	CEL-OSD12X24-MR	CEL-OSD12X24-LR



Installation Notes: Center to center hole drilling dimension are same as mentioned in column. Diameter of glass hole for installation is 1/2". Standard hardware supplied can accommodate glass thicknesses 1/4" to 1/2". Please contact us for custom hardware in case glass thickness exceeds 1/2".

NOTE: Dimensions in inches. Dimensions subject to change without notice.