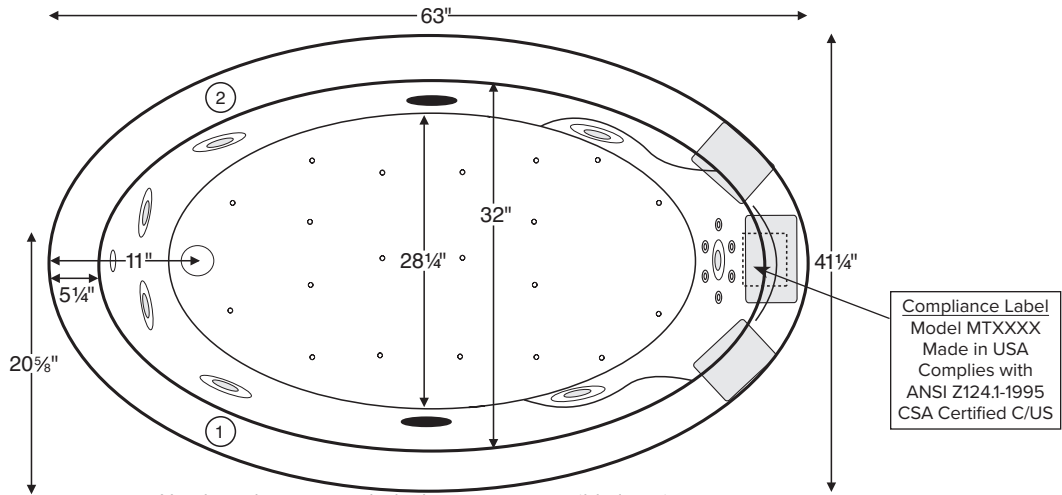


Adena 5

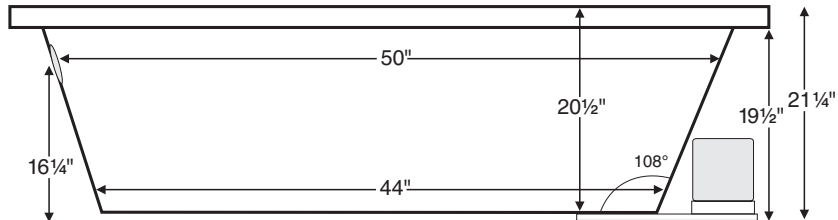


Features integral armrests.

MODEL 39		
63" x 41.25" x 21.25"		
DROP-IN (cannot be undermounted) <i>Not recommended as a tub/shower combination</i> 76 gal to overflow		
Acrylic CXL®		DoloMatte®
100 lbs / 45 kg	<SOAKER>	113 lbs / 51 kg
150 lbs / 68 kg	<PLUMBED>	163 lbs / 74 kg
Filling this tub to the maximum may require an above average size or dedicated water heater.		



Numbered areas on tub deck represent possible locations to install cleaning systems, faucets and other fixtures. Shown with Air Massage and Ultra Whirlpool Package.



IMPORTANT: Air baths and tubs with a pre-leveled foam base add 2-3" to overall tub height.

IMPORTANT ORDERING & INSTALLATION INFORMATION

- Before ordering or installing, please consider future access to equipment.
- Add proper bedding compound to fully level and support bottom of tub.
- When equipped with an air bath package, pre-leveled foam base or frame system, overall tub height is increased by approx. 2-3" and is designed to install on a flat, level subfloor.
- Radiance placed on airbath floor will affect placement of air jets.
- System components may extend beyond the perimeter of deck.
- Please measure tub **on-site** before building tub decking.
- Suction and control locations may vary.
- All tubs are compliant with ASTM C 1028-07 coefficient of friction. DoloMatte meets ANSI A137.1/ A326.3 coefficient of friction and AS HB198:2014 slip tests.

ELECTRICAL COMPONENTS & SPECIFICATIONS

Hydrotherapy Package	Components Included	GFCI / 110V
Standard Whirlpool	2-bhp pump	1-15 amp
Stream Bath	1/2-bhp, ozone	1-20 amp
Microbubbles	Microbubbles pump	1-15 amp
Ultra Whirlpool	2bhp pump, 1bhp pump, inline heater, ozone	2-20 amp
Air Massage	heated blower	1-15 amp
Air Massage Elite	heated blower, chromatherapy	1-15 amp
Air Massage w/ Stream Bath	1/2-bhp pump, heated blower, ozone	1-20 amp
Air Massage Elite w/ Stream Bath	1/2-bhp pump, heated blower, chromatherapy, ozone	1-20 amp

Electrical requirements may change with the addition of optional therapy components. See specific option details or installation information. CSA Certified C/US; B45.5/IAPMO ANSI Z124.1 and ANSI 112.19.7

Hydrotherapy Package	Components Included	GFCI / 110V
Microbubbles with Air	Microbubbles pump, heated blower	1-20 amp
Microbubbles with Air Elite	Microbubbles pump, heated blower, chromatherapy	2-15 amp
Air with Whirlpool	2-bhp pump, heated blower	2-15 amp
Air with Ultra Whirlpool	2bhp pump, 1bhp pump, inline heater, heated blower, ozone	2-20 amp
Air Elite with Whirlpool	2-bhp pump, heated blower, chromatherapy	2-15 amp
Air Elite with Ultra Whirlpool	2bhp pump, 1bhp pump, inline heater, heated blower, chromatherapy, ozone	2-20 amp

See the Installation & Operation Manual for more details. MTT's Customer Service Monday-Friday 8am-6pm EST 800-783-8827 or service@mtbaths.com

- Before discarding tub crate, check for accessories that may be packaged inside.
- All product measurements are ±1/2".
- Specifications and configurations are subject to change without notice.
- Measurements herein supersede all others published prior to publication date below.



- Aromatherapy is eliminated for undermount applications
- Air Baths, Pre-Leveled Foam Base or Frame Systems increase overall height by 2-3".

Adena 5

MODEL 39

63" x 41.25" x 21.25"

Hydrotherapy Packages	Package Contents	Acrylic CXL®		DoloMatte®	
		Part #	MSRP	Part #	MSRP
Soaker	Soaking bath - no jets	S39	\$2,340	S39DM	\$2,880
Stream Bath	6 side vents, 2 end vents, 1/2 bhp pump, Ozone	SM39	\$4,630	SM39DM	\$5,170
Microbubbles	1 microbubbles infusion port and pump	M39	\$5,330	M39DM	\$5,870
Air Massage	20 air jets, heated air blower, Aromatherapy, pre-leveled foam base	AST39	\$5,625	AST39DM	\$6,165
Air Massage Elite	30 air jets, heated air blower, Aromatherapy, Chromatherapy LED lighting, Spa Mode (<i>keypad must be remote mounted</i>), pre-leveled foam base	AE39	\$7,335	AE39DM	\$7,875
Stream Bath with Air Massage	6 side vents, 2 end vents, 1/2 bhp pump, Ozone, 20 air jets, heated air blower, Aromatherapy, pre-leveled foam base	ASTSM39	\$7,465	ASTSM39DM	\$8,005
Stream Bath with Air Massage Elite	6 side vents, 2 end vents, 1/2 bhp pump, Ozone, 30 air jets, heated air blower, Aromatherapy, Chromatherapy LED lighting, Spa Mode (<i>keypad must be remote mounted</i>), pre-leveled foam base	AESM39	\$9,355	AESM39DM	\$9,895
Microbubbles with Air Massage	1 microbubbles infusion port and pump, 20 air jets, heated air blower, Aromatherapy, pre-leveled foam base	ASTM39	\$8,075	ASTM39DM	\$8,615
Microbubbles with Air Massage Elite	1 microbubbles infusion port and pump, 30 air jets, heated air blower, Aromatherapy, Chromatherapy LED lighting, Spa Mode (<i>keypad must be remote mounted</i>), pre-leveled foam base	AEM39	\$9,695	AEM39DM	\$10,235
Standard Whirlpool	5 point-massage jets, 2-bhp pump	P39	\$4,470	P39DM	\$5,010
Ultra Whirlpool	7 point-massage jets with 2-bhp pump, 6 micro-jets with Tsubo massage and 1-bhp pump, inline heater, Ozone	P39U	\$6,265	P39UDM	\$6,805
Air Massage with Standard Whirlpool	5 point-massage jets, 2-bhp pump, 20 air jets, heated air blower, Aromatherapy, pre-leveled foam base	AW39	\$7,755	AW39DM	\$8,295
Air Massage with Ultra Whirlpool	7 point-massage jets with 2-bhp pump, 6 micro-jets with Tsubo massage and 1-bhp pump, inline heater, 20 air jets, heated air blower, Aromatherapy, Ozone, pre-leveled foam base	AU39	\$9,550	AU39DM	\$10,090
Air Massage Elite with Standard Whirlpool	5 point-massage jets, 2-bhp pump, 30 air jets, heated air blower, Aromatherapy, Chroma-therapy LED lighting, Spa Mode (<i>keypad must be remote mounted</i>), pre-leveled foam base	AEAP39	\$9,465	AEAP39DM	\$10,005
Air Massage Elite with Ultra Whirlpool	7 point-massage jets with 2-bhp pump, 6 micro-jets with Tsubo massage and 1-bhp pump, inline heater, 30 air jets, heated air blower, Aromatherapy, Ozone, Chromatherapy LED lighting, Spa Mode (<i>keypad must be remote mounted</i>), pre-leveled foam base	AEAP39U	\$10,450	AEAP39UDM	\$10,990

RECOMMENDED SENSORY THERAPIES

Chromatherapy

(LE) **\$800** underwater lighting
2 LED lights included

Audiotherapy

(STEREOBT) **\$1,390** 2 transducers with bluetooth and amplifier
(BTREMOTE) **\$600** bluetooth remote

(STEREOH202) **\$1,575** 4 transducers amplifier not included

Thermaltherapy

(RAD100) **\$1,595** Radiance®
2 heated zones included
(HTISOAK) **\$825**



For more information on options and accessories go to Acrylic Tub Options at mtibaths.com

Options <i>Must be ordered at time of purchase.</i>
Standard Colors White (CWH) DoloMatte available in matte white only. Biscuit (CBS) Not available for DoloMatte.
Quick Ship reduces lead time (QSPRI) \$430 <i>Please call for availability</i>
Inline Heater maintains water temperature For Soaker or Air Baths (HTISOAK) \$825 Includes a recirculating pump <i>Cannot be combined with Microbubbles.</i>
Virtual Spout high-flow integrated tub filler (FPMJ) \$450 <i>Virtual Spout location is left of the overflow, unless otherwise specified on order.</i>
Grab Bars from \$330 <i>Selections vary. Personalization available.</i>
Textured Bottom (TXTBTM) Acrylic CXL [®] only \$105 DoloMatte [®] exceeds ANSI A1371/A326.3 and AS HB198 slip tests.
Accessories
Pillows from \$180
Teak Bath Mat (TKMAT3018) \$815 <i>Custom sizes also available. Contact MTI for details and pricing.</i>

Hydrotherapy Equipment & Cleaning Systems <i>Must be ordered at time of purchase.</i>
Inline Heater maintains water temperature For Whirlpools or Stream Bath (HTI) \$570 Uses existing pump <i>Cannot be combined with Microbubbles.</i>
Whirlpool Cleaning Systems Fill-Flush (FFSO) \$590 Simple Touch (FFE) \$1,020 <i>Must specify stub-out location on order. See page 1 for location options.</i>
Whirlpool Jets Pump upgrade may be advisable for optimal performance when adding jets. Point-Massage Jet Extra Point-Massage Jet (EJ) \$315 Micro-Jet from \$360 <i>Jet styles and packages vary. Personalization available.</i>
Pump Upgrade - 3-bhp (PUMP3) \$315
Jet Trim Kits For Standard Whirlpool Chrome (TRC) \$270 , Brushed Nickel (TRBN) \$725 For Ultra Whirlpool Chrome (TRCU) \$370 , Brushed Nickel (TRBNU) \$960
Ozonator (OZONE) \$515 <i>Cannot be added to soakers or airbaths without combination hydrotherapy package or HTISOAK.</i>

Installation Options *Must be ordered at time of purchase.*

Pre-Levelled Foam Base (PLFOAM) \$295
All airbaths include a pre-levelled foam base.

Drains & Overflow Kits

<p>Cable Driven</p> <p>Drain Finishes – PVC Drain Kit</p> <ul style="list-style-type: none"> White/Bone/Biscuit (WOCDDW) \$440 Chrome (WOCDD) \$410 Brushed Nickel (WOCDBN) \$490 Polished Nickel (WOCDDPN) \$540 Oil-Rubbed Bronze[†] (WOCDDOR) \$550 Polished Brass (WOCDDBR) \$690 Special Finishes* (WOCDDSF) \$1,135 <p><i>MTI does not offer a brass body cable drain kit.</i></p> <p>Lift & Turn</p> <p>Drain Finishes – PVC Drain Kit</p> <ul style="list-style-type: none"> Chrome (WOC) \$185 White (WOW) \$245 Brushed Nickel (WOBN) \$305 	<p>Toe Tap</p> <p>Round Overflow – PVC Drain Kit</p> <ul style="list-style-type: none"> Chrome (WOTTTC) \$380 Brushed Nickel (WOTTBN) \$385 Polished Nickel (WOTTPN) \$385 Special Finishes* (WOTTSF) \$1,145 <p>Round Overflow – Solid Brass Drain</p> <ul style="list-style-type: none"> Chrome (WOTTBSC) \$810 Brushed Nickel (WOTTBBSN) \$810 Polished Nickel (WOTTBSPN) \$810
--	---

[†] MTI has selected an oil-rubbed bronze finish that is compatible with Delta and many other manufacturers. To ensure best match, order as a Special Finish and submit a sample.

* Allow 2-4 weeks lead time for Special Finishes. Send sample for best match.

