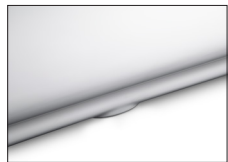
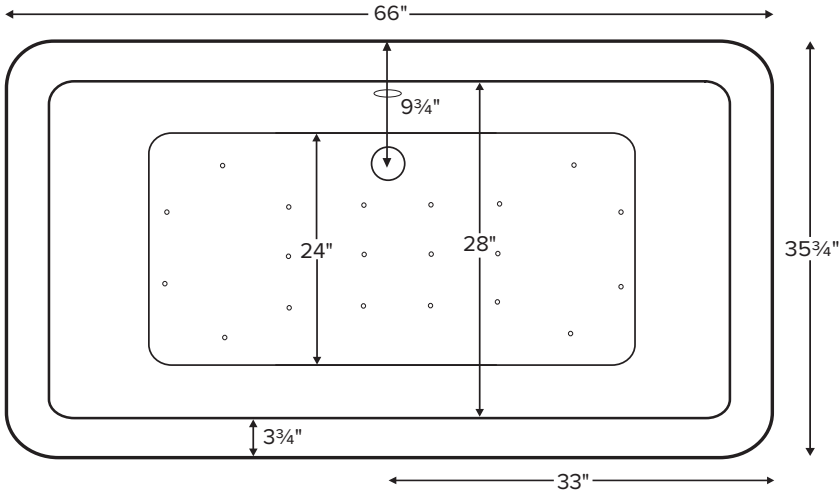


Parisian® 1



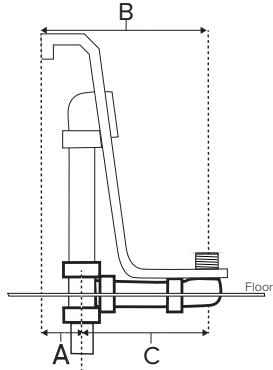
MODEL 146	
66" x 35.75" x 23"	
FREESTANDING 87 gal to overflow	
Acrylic CXL®	DoloMatte®
210 lbs / 95 kg	<SOAKER> 245 lbs / 111 kg
Filling this tub to the maximum may require an above average size or dedicated water heater.	



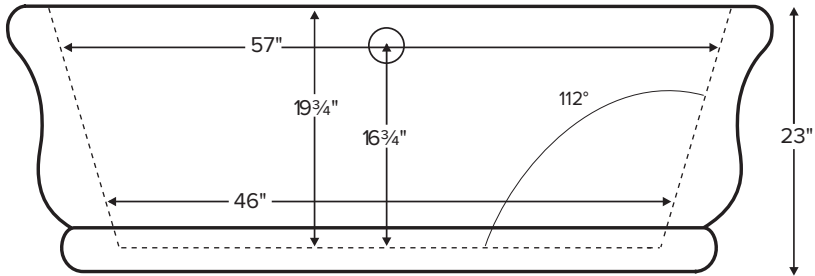
Back of tub designed to accommodate rear drain.

Drain Rough-In Measurements

A	B	C
4 3/4"	9 3/4"	5"



Requires use of a wall-mounted or freestanding tub filler.
Shown with Air Massage Package.



IMPORTANT:
Must have access to the drain from underneath the tub for installation and servicing.

ELECTRICAL COMPONENTS & SPECIFICATIONS

Hydrotherapy Package	Components Included	110V GFCI
Air Massage	heated blower	1-15 amp
Air Massage Elite	heated blower, chromatherapy	1-15 amp

Electrical requirements may change with the addition of optional therapy components.
See specific option details or installation information.
CSA Certified C/US; B45.5/IAPMO ANSI Z124.1 and ANSI 112.19.7

See the Installation & Operation Manual for more details.
MTI's Customer Service: Monday-Friday 8am-6pm EST
800-783-8827 or service@mtibaths.com

IMPORTANT ORDERING & INSTALLATION INFORMATION:

- Before ordering or installing, please consider future access to equipment.
- No access panel. Tub features factory-installed overflow with toe tap drain.
- Air baths require job site preparations for remote mounting the blower and required check valve. Check valve must be installed higher than the rim of the tub.
- Hydrotherapy equipment may ship loose for remote installation depending on tub model. See package content on the following page for details.
- Radiance placed on floor locations will affect placement of air jets.
- Faucet valves cannot be installed on this tub model.
- All tubs are in accordance with CSA B45.5/IAPMO Z124 standard and compliant with ASTM C 1028-07 coefficient of friction. DoloMatte meets ANSI A137.1/A326.3 coefficient of friction and AS HB198:2014 pendulum slip resistance testing.

• Before discarding tub packaging, check for accessories that may be packaged inside.
• All product measurements are ±1/2".
• Specifications and configurations are subject to change without notice.
• Measurements herein supersede all others published prior to publication date below.



Parisian® 1
MODEL 146
66" x 35.75" x 23"

Hydrotherapy Packages	Package Contents	Acrylic CXL®		DoloMatte®	
		Part #	MSRP	Part #	MSRP
Soaker	Soaking bath - no jets; includes a pre-leveled foam base and factory-installed overflow with toe-tap drain kit in chrome.	S146	\$10,720	S146DM	\$11,440
Air Massage	20 air jets, heated air blower, pre-leveled foam base and factory-installed overflow with toe-tap drain kit in chrome. Blower and control boxes must be remote located.	AST146	\$14,005	AST146DM	\$14,725
Air Massage Elite	30 air jets, heated air blower, Chromatherapy LED lighting, Spa Mode, pre-leveled foam base and factory-installed overflow with toe-tap drain kit in chrome. Blower and control boxes must be remote located.	AE146	\$15,715	AE146DM	\$16,435

RECOMMENDED SENSORY THERAPIES

Chromatherapy

(LE) **\$800** underwater lighting
2 LED lights included

Audiotherapy

(STEREOBT) **\$1,390** 2 transducers
with bluetooth and amplifier
(BTREMOTE) **\$600** bluetooth remote

(STEREOH202) **\$1,575** 4 transducers
amplifier not included

Thermltherapy

(RAD100) **\$1,595** Radiance®
2 heated zones included

Options *Must be ordered at time of purchase*

Standard Colors White (CWH)

Textured Bottom (TXTBTM) Acrylic CXL® only **\$105**
DoloMatte® exceeds ANSI A137.1/A326.3 and AS HB198 slip tests.

Accessories

Pillows from **\$180**

Teak Bath Mat (TKMAT3018) **\$815**

Custom sizes also available. Contact MTI for details and pricing.

Floor-Mounted High-Flow Tub Filler

Contemporary

Chrome (FILLC) **\$1,480**

Brushed Nickel (FILLBN) **\$1,710**

Faucet Stand SculptureStone® Standard

Small 3-hole capacity

14¼" w x 21¾" h

Matte (STAND) **\$725**

Large 5-hole capacity

22" w x 21¾" h

Matte (STANDL) **\$855**

+\$430 gloss finish upcharge (SSGLOSSNK)

Drains & Overflow Kits *Must be ordered at time of purchase*

Toe Tap with Round Overflow – PVC Drain Kit

Overflow is factory-installed

Chrome (WOTTC) included

Brushed Nickel (WOTTBNU) substitute free of charge

Finish Upcharge

White (WOTTWU) **\$35**

Polished Nickel (WOTTPNU) **\$60**

Oil-Rubbed Bronze+ (WOTTORU) **\$65**

Special Finishes+ (WOTTSFU) **\$790**