



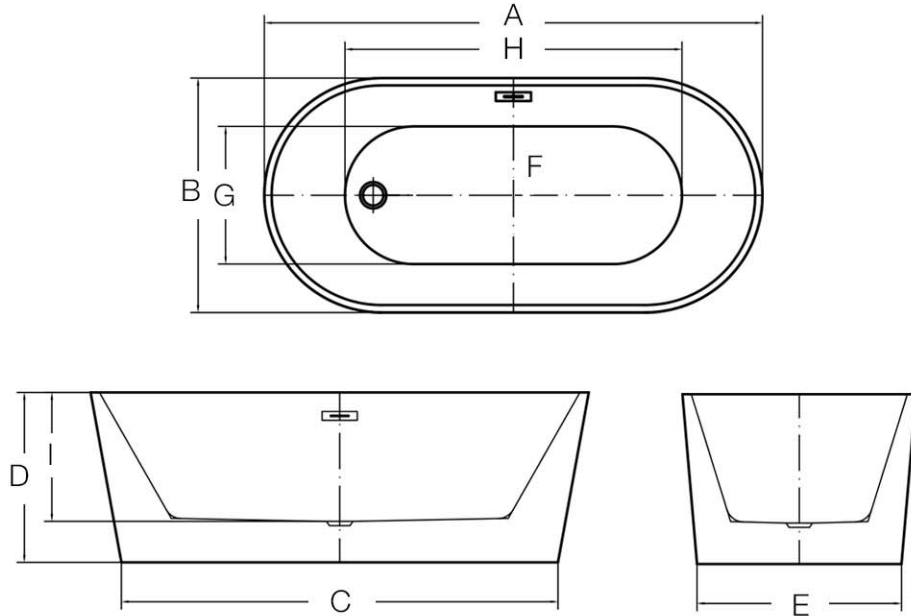
MAIDSTONE

www.MaidstoneSupply.com

Acrylic Double End Freestanding Tub

Part No: 220JA67

TECHNICAL INFORMATION



DIMENSIONS (INCHES)

	A	B	C	D	E	F	G	H	I
67	66 ¹ / ₂	31 ¹ / ₂	58 ² / ₃₂	22 ²⁷ / ₃₂	27 ¹ / ₂	2	18 ¹ / ₂	45 ¹ / ₄	17 ⁵ / ₁₆

	67
EMPTY (LB)	93
CAPACITY (GAL)	60

Approximate Measurements

Contact Maidstone for additional information and specifications. For complete warranty information and a list of dealers visit www.MaidstoneSupply.com. All products and specifications are subject to change without notice. Maidstone is not responsible for typographical and/or dimensional errors. Typographical errors are subject to correction.

Note: Rough-in dimensions may vary +/- 1/2" and are subject to change. No responsibility is assumed by Maidstone.