

Urban-16 Linen Cabinet

Specification & Installation Guide

Features

- Wall hung Urban-16 linen cabinet
- Size: 60-5/8" (1540mm)H x 15-9/16" (395mm)W x 15" (380mm)D
- Furniture grade plywood layered with solid wood veneer and protected with several coats of polyurethane.
- Matching finish inside and out
- With two adjustable soft-close doors with adjustable European hardware
- Four interior clear glass adjustable shelves
- Six door clear glass adjustable shelves and retainer for full visibility
- Non-handed. Can be installed left or right hand

Finishes

- Ash Grey (AG)
- Glossy White (GW)
- Walnut (WA)

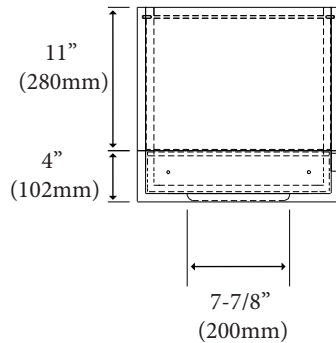
Package dimension

18" x 18" x 64"

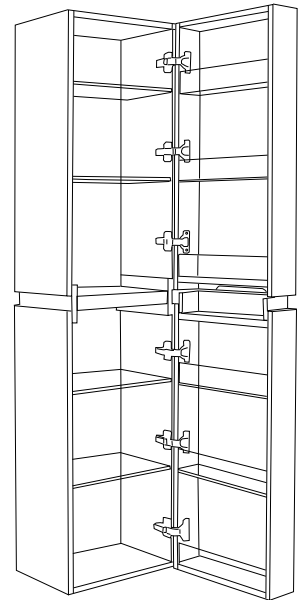
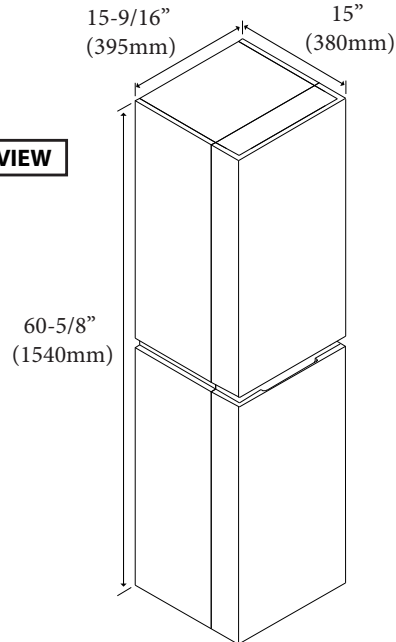
Gross weight

98 lbs / 44.5 kgs

TOP VIEW

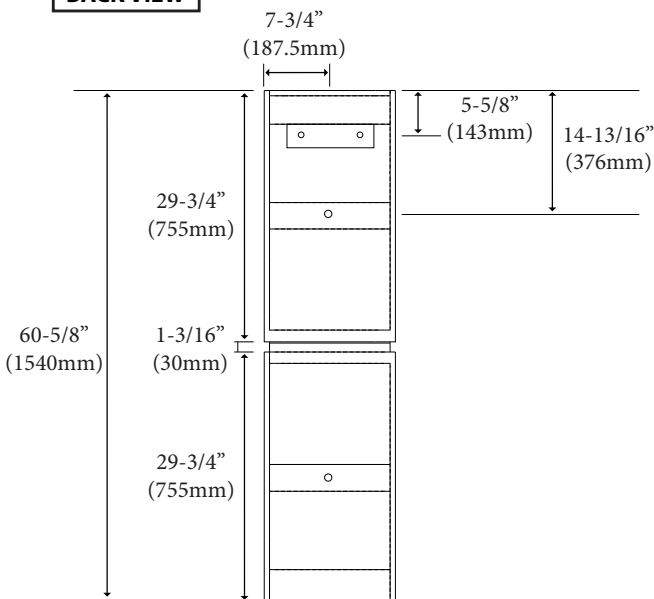


FRONT VIEW

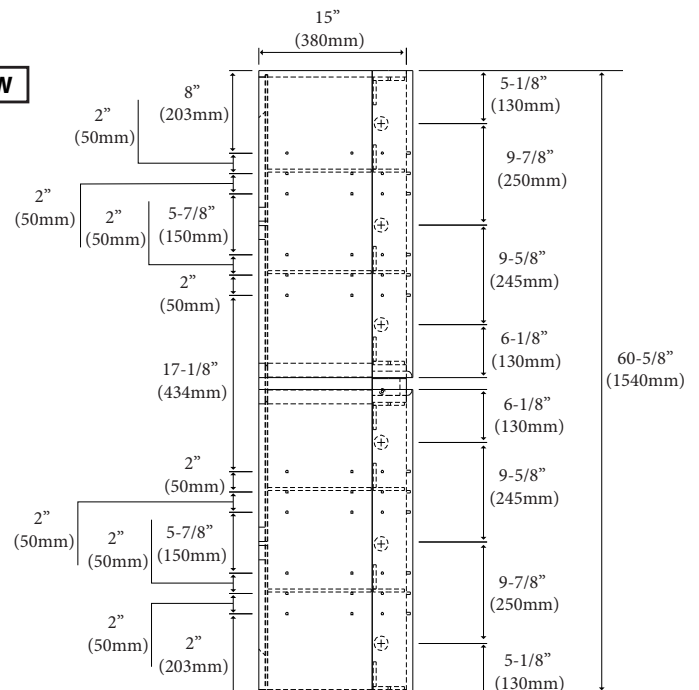


Right Hand Hinged Shown

BACK VIEW



SIDE VIEW



For clarification, please contact Madeli Customer Care at (800)-819-6988 or (305)-718-8817 Ext. 1

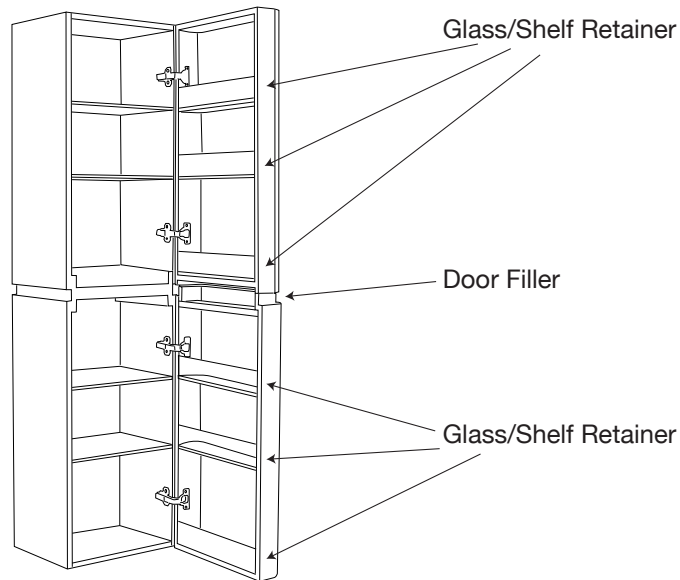
All dimensions are approximate and subject to standard tolerance. Specifications subject to change without prior notice.

Urban-16 Collection

Specification & Installation Guide

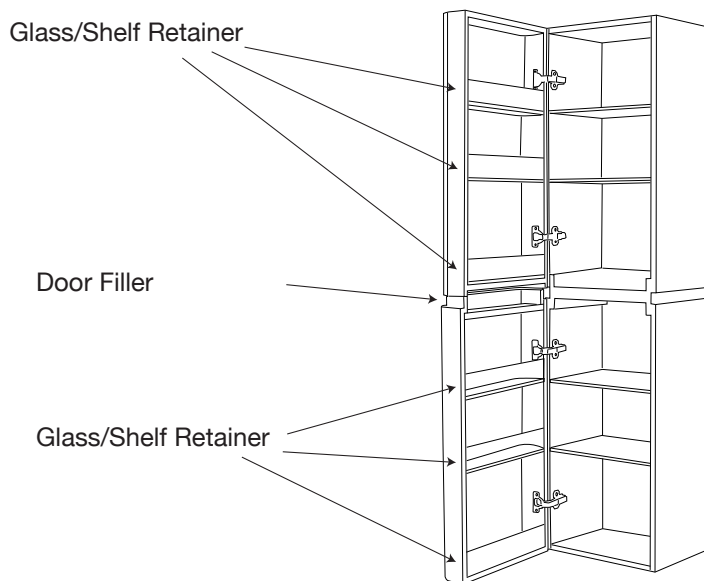
RIGHT HAND AND LEFT HAND CONFIGURATIONS

RIGHT HAND HINGED (FROM FACTORY)



LEFT HAND HINGED

- Move Door Filler from TOP Door to BOTTOM Door
- Flip all shelves

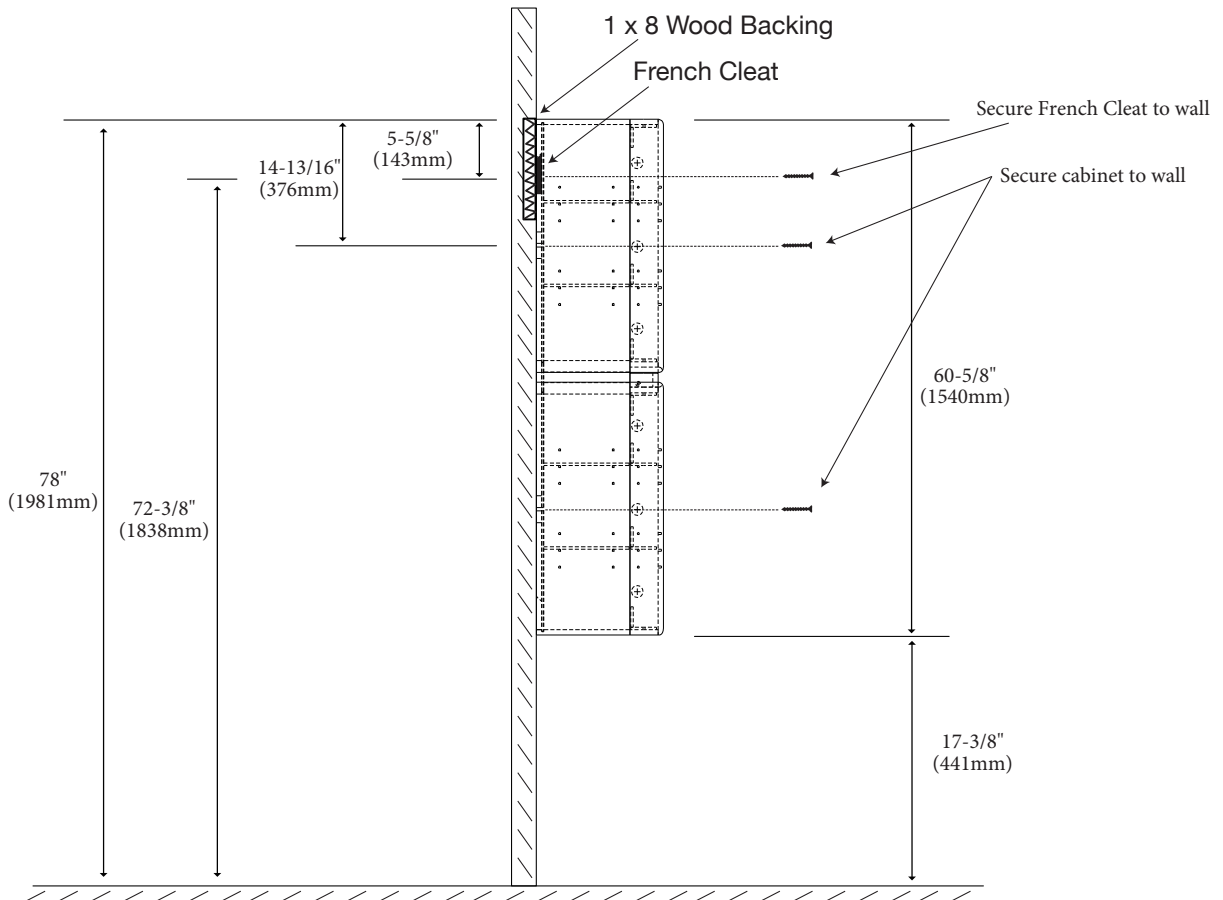
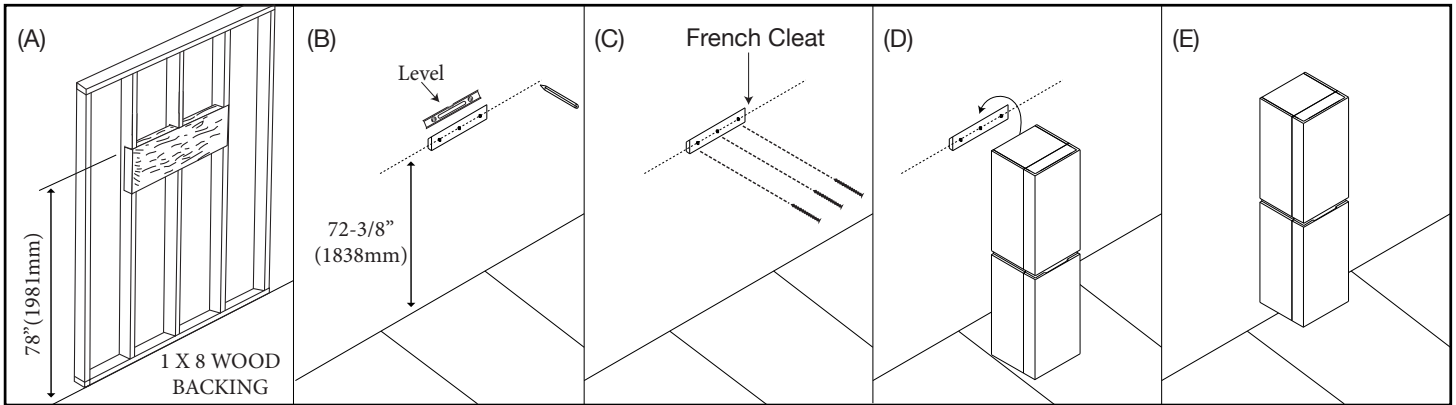


Urban-16 Collection

Specification & Installation Guide

TYPICAL INSTALLATION

Typical installation height usually matches adjacent medicine cabinet or mirror height: 78" (1981mm). If different height is desired, adjust the height of the wood backing and of the French Cleat.



For clarification, please contact Madeli Customer Care at (800)-819-6988 or (305)-718-8817 Ext. 1

All dimensions are approximate and subject to standard tolerance. Specifications subject to change without prior notice.