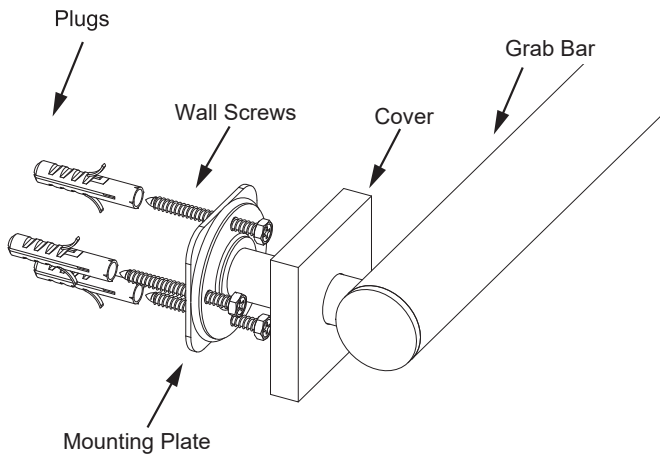


9400 SERIES (1.5"/35mm)

GRAB BAR

AVAILABLE IN: 12"/18"/24"/36"/42"

8289412-35mm/9418-35mm/9424-35mm
/9436-35mm/9442-35mm



Tools required for installation

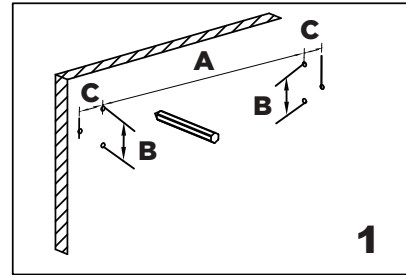
Level Pencil Wrench

Screwdriver Drill Hammer

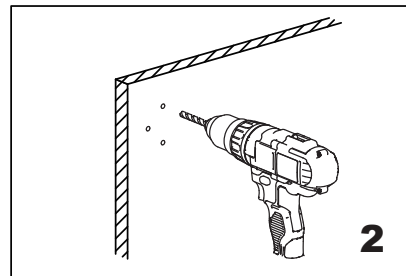
A=Plate TOP holes center to center distance
B=Plate TOP hole to BOTTOM hole distance
C=Plate TOP/BOTTOM holes to MID hole distance

Product Code	Sizes (Inches/mm)		
	A	B	C
8289412-35mm	11 3/4" /300	1 1/2"/39	1/2"/14.5
8289418-35mm	17 3/4"/450	1 1/2"/39	1/2"/14.5
8289424-35mm	23 5/8"/600	1 1/2"/39	1/2"/14.5
8289436-35mm	35 1/2"/900	1 1/2"/39	1/2"/14.5
8289442-35mm	42 1/8"/1070	1 1/2"/39	1/2"/14.5

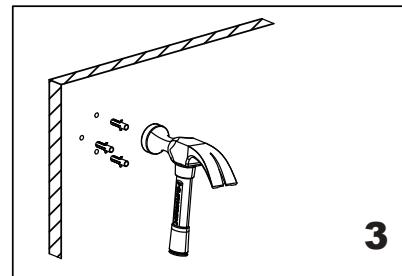
Fig.1



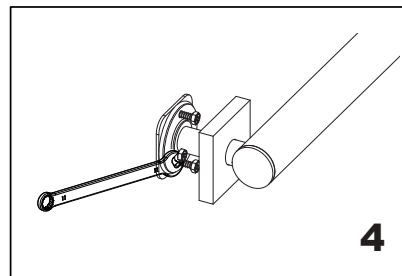
Mark (on the wall) locations of plugs through mounting plate using a pencil, refer to Fig.1



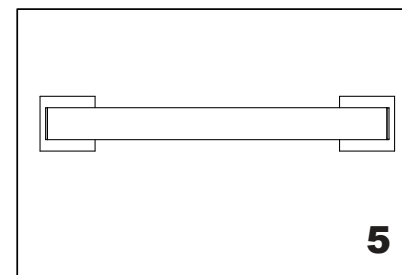
Drill 3/16" holes, make sure to keep drill level



Insert plugs into drilled holes, using a hammer to tap the plugs in, be careful not to break tile



Driver bolt nut directly into holes



Tighten the cover on the Mounting plate