

### Features

- Solid brass construction
- Single-post, horizontal pivot design with hanging, open ring
- Complements Columnar product series

### Codes / Standards Compliance

Meets or exceeds the following at date of manufacture:

- All applicable US Federal and State material regulations



### Colors / Finishes

- PC: Polished Chrome
- PN: Polished Nickel
- SN: Satin Nickel
- Other: NA

### Specified Model

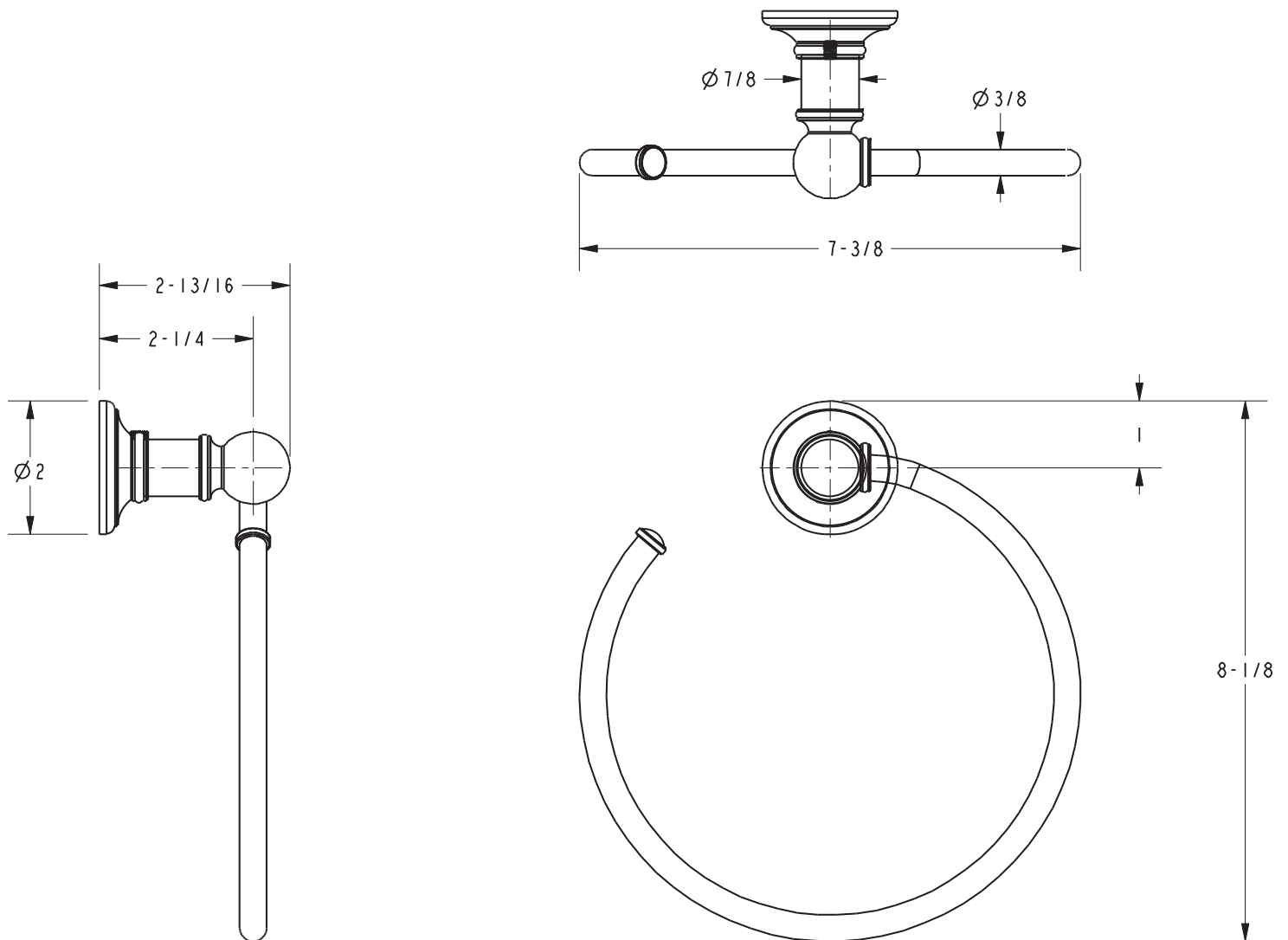
Model	Description	Colors   Finishes
4521	Open Towel Ring	<input type="checkbox"/> PC <input type="checkbox"/> PN <input type="checkbox"/> SN

### Product Specification: Add "Length Indicator and Color / Finish" suffix to Model number, below.

The Open Towel Ring shall be made of solid brass construction and incorporate a single-post, horizontal pivot design with hanging, open ring. Towel Ring shall complement Ginger Columnar product series. Open Towel Ring shall be Ginger Model 4521/\_\_\_\_\_.

# 4521

**Product Dimensions** (units are in inches)



**Columnar Open Towel Ring**  
**4521**

**GINGER**<sup>®</sup>