



SINE

Toilet Tissue Holder 0208

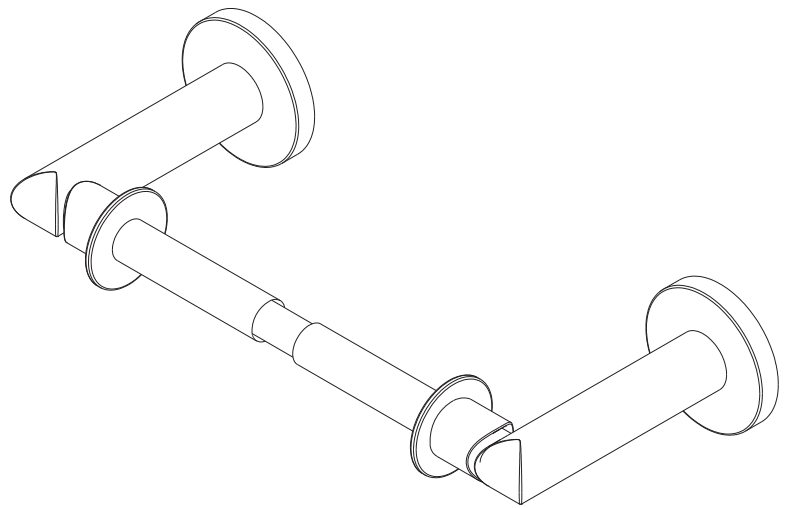
Features

- Solid brass construction
- Double-post design with spring-loaded, non-separating roller
- Complements Sine product series

Codes / Standards Compliance

Meets or exceeds the following at date of manufacture:

- All applicable US Federal and State material regulations



Colors / Finishes

- SN: Satin Nickel
- PC: Polished Chrome

Specified Model

Model	Description	Colors Finishes	
0208	Toilet Tissue Holder	<input type="checkbox"/> SN	<input type="checkbox"/> PC

Product Specification: Add "Color / Finish" Suffix to Model Number Below.

The Toilet Tissue Holder shall be made of solid brass construction and incorporate a double-post design utilizing a non-separating, spring-loaded roller. Toilet Tissue Holder shall complement motiv Sine product series. Toilet Tissue Holder shall be motiv Model 0206/____.

0208

Product Dimensions (units are in inches)

