
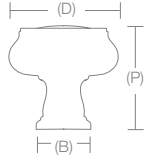

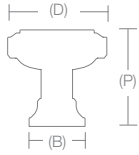


Geometric Brass Cabinet Knob & Pull Specifications

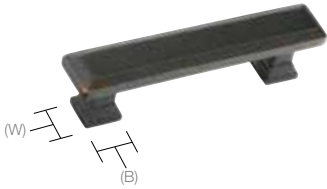
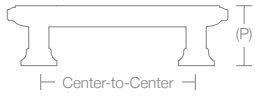
Brass Geometric Oval Cabinet Knob

		Product Code	Dimension(D)	Projection(P)	Base Diameter(B)
		86304	1 ¼"	1 ⅛"	¾"
		86305	1 ½"	1 ½"	¾"
		86306	1 ¾"	1 ½"	¾"


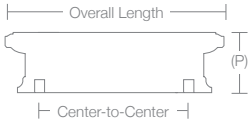
Brass Geometric Square Knob

		Product Code	Dimension(D)	Projection(P)	Base Dimension(B)
		86295	1 ¼"	1 ¼"	¾"
		86296	1 ⅝"	1 ⅜"	¾"


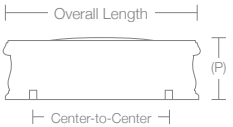
Brass Geometric Rectangular Pull

		Product Code	Dimension C-to-C	Projection(P)	Width(W)	Base Dimension(B)
		86299	3"	1 ⅛"	7/8"	5/8"
		86300	3 ½"	1 ⅛"	7/8"	5/8"
		86301	4"	1 ⅛"	7/8"	5/8"
		86302	6"	1 ⅛"	7/8"	5/8"
		86303	10"	1 ⅛"	7/8"	5/8"

Brass Geometric Rectangular Bin Pull

		Product Code	Overall Length	Dimension C-to-C	Projection(P)	Width(W)
		86297	4 ⅛"	3"	1 ⅛"	7/8"
		86298	5 ⅛"	4"	1 ⅛"	7/8"

Brass Geometric Oval Bin Pull

		Product Code	Overall Length	Dimension C-to-C	Projection(P)	Width(W)
		86307	3 ½"	3"	1 ⅛"	1 ⅛"
		86308	4 ½"	4"	1 ⅛"	1 ⅛"