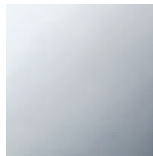




Kitchen - Tara Ultra
PIVOT Single-lever mixer - polished chrome
Article number: 33 845 875-00 0010

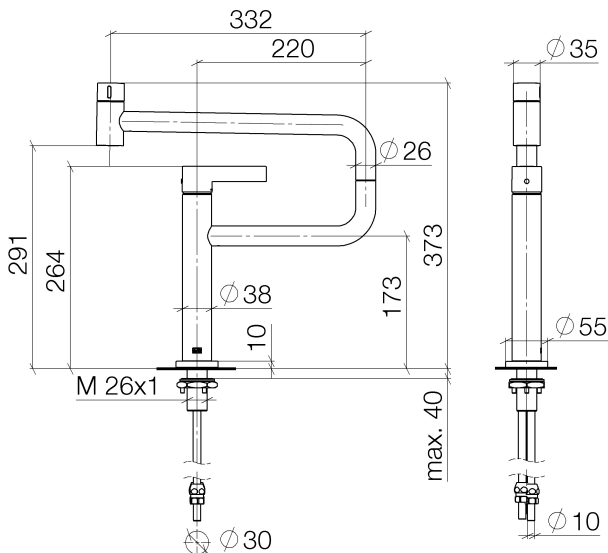


- 21-3/4" Projection
- Swiveling spout 360°
- Areated stream
- Total height 14-5/8"
- Height to aerator/spout outlet 11-3/8"
- Flange 2-1/8"
- 1-3/8" hole diameter
- 2x 10 mm flexible supply lines including 3/8" US adapters
- Water flow rate limited to max. 1.5 gpm
- lead-free
- (ADA)
- Combination with side spray set or profi side spray set not possible.



polished chrome

Dimensional drawing

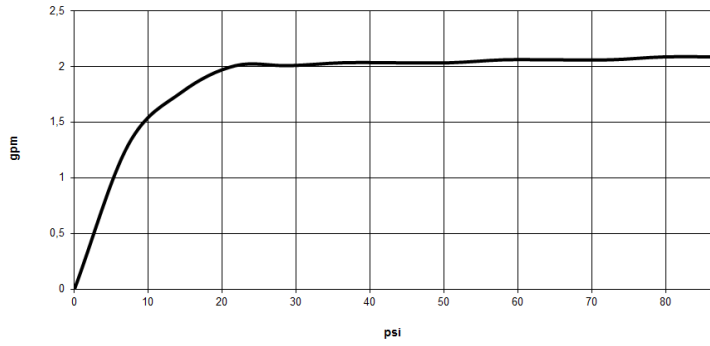




Kitchen - Tara Ultra
PIVOT Single-lever mixer - polished chrome
Article number: 33 845 875-00 0010

All dimensions in mm / inch = mm x 0,0394

Flow rate chart





Kitchen - Tara Ultra
PIVOT Single-lever mixer - polished chrome
Article number: 33 845 875-00 0010

Other surface finishes



platinum matte
33 845 875-06 0010



platinum
33 845 875-08 0010



Brushed Durabrass
33 845 875-28 0010



Dark Platinum matte
33 845 875-99 0010

More custom finish options are available via special production (xTra Service). Please see our finish matrix for availability and pricing or contact a Dornbracht representative.

Recommended article



10 713 970-00
AIR SWITCH operating
button, trim parts only -
polished chrome

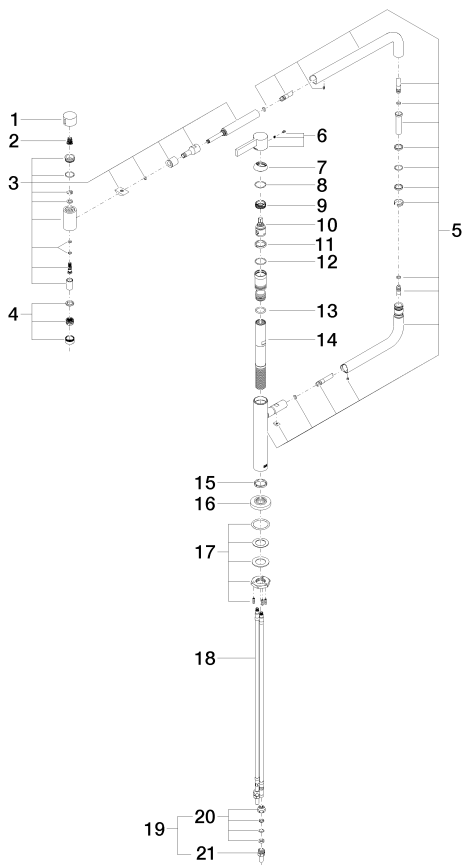


82 434 970-00
Soap dispenser with flange -
polished chrome



Kitchen - Tara Ultra
 PIVOT Single-lever mixer - polished chrome
 Article number: 33 845 875-00 0010

Spare parts list



Number	Item Number	Designation	Number of units
1	09 20 62 025-00	handle	1
2	09 12 12 002 90	fixing cap	1
3	90 19 87 001 00-00	spout	1
4	90 23 01 026 08-00	aerator	1
5	90 28 22 257 00-00	joint	1
6	90 20 87 004 00-00	handle	1
7	09 28 30 013-00	cover	1
8	09 14 10 091 90	seal	1
9	09 24 04 266 90	nut	1
10	90 15 05 042 00 90	cartridge	1
11	09 28 10 156 90	ring	1
12	09 14 10 063 90	seal	1
13	09 14 10 081 90	seal	1
14	09 30 01 126 90	connection	1
15	09 28 10 159 90	ring	1
16	09 27 87 033-00	rosette	1
17	04 30 11 085 87 90	fixing set	1
18	04 30 04 098 00 90	hose	2
19	04 24 04 222 00-00	adaptor	2
20	04 23 30 031 01-07	threaded connector	2
21	09 24 04 222 10-00	adaptor	2