

Washstand fitting with electronic opening and closing function without pop-up waste

MEM

44 521 782



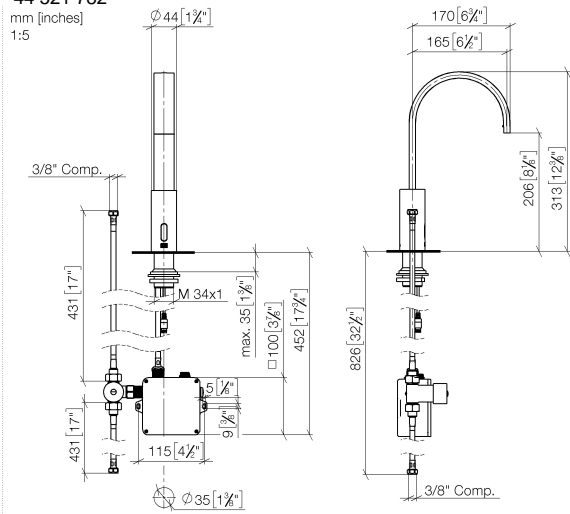
- Infrared sensor technology
- 165 mm projection
- height of mixer 313 mm
- height up to aerator 206 mm
- hole diameter 35 mm
- fixed spout
- max. flow 4.5 l/min
- rectangular, air-enriched flow
- suitable for thermal disinfection
- Automatic shut-off after pre-set time is reached
- Indirect temperature control (undercounter)
- Control box included
- Adjustable sensor detection range
- Battery or plug-in power supply operated (batteries not included)
- 4x AA (1.5V) batteries required
- lead-free
- 1x screw-in M 8 x 1 pressure hose, leak-tested

Batteries not included

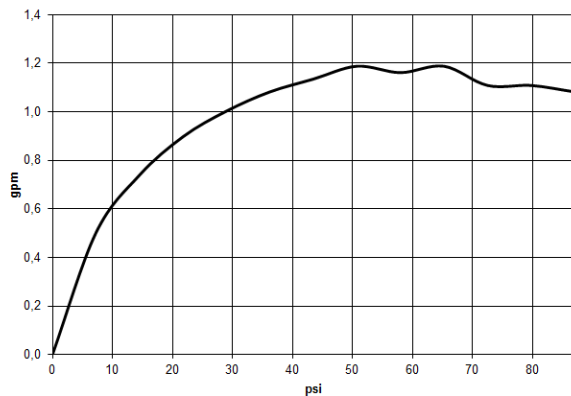
| | | |
|--|-------------------------------------|--------------------|
|  | Chrome | 44 521 782-00 0010 |
|  | Brushed Platinum | 44 521 782-06 0010 |
|  | Platinum | 44 521 782-08 0010 |
|  | Matte White | 44 521 782-10 0010 |
|  | Dark Chrome | 44 521 782-19 0010 |
|  | Brushed Durabronze (23kt Gold) | 44 521 782-28 0010 |
|  | Matte Black | 44 521 782-33 0010 |
|  | Brushed Champagne (22kt Gold) | 44 521 782-46 0010 |
|  | Brushed Chrome | 44 521 782-93 0010 |
|  | Brushed Dark Platinum | 44 521 782-99 0010 |

44 521 782

mm [inches]
1:5



Flow rate chart



Spare parts list

| No. | Item Number | Name | Quantity used | Delivery time |
|-----|--------------------|---------------------|---------------|---------------|
| 1 | 90 28 22 373 01-00 | spout | 1 | 10 |
| 2 | 09 14 10 132 90 | seal | 1 | 2 |
| 3 | 09 31 20 027 10-00 | plug | 1 | 10 |
| 4 | 04 30 04 100 00 90 | hose | 2 | 2 |
| 5 | 04 23 10 044 08 90 | fixing set | 1 | 2 |
| 6 | 12 506 970 90 | High pressure hoses | 1 | 2 |
| 7 | 09 24 03 185-00 | nipple | 1 | 10 |
| 8 | 90 30 50 081 00 90 | valve | 1 | 2 |
| 9 | 90 10 01 247 02 90 | valve box | 1 | 60 |