

4

3

2

1

BILL OF MATERIAL (CURRENT LEVEL)

ITEM	PT/ASSY	DESCRIPTION	TYPE	QTY.
I	50843	TAIL PC. (327)	PART	I

D

D

C

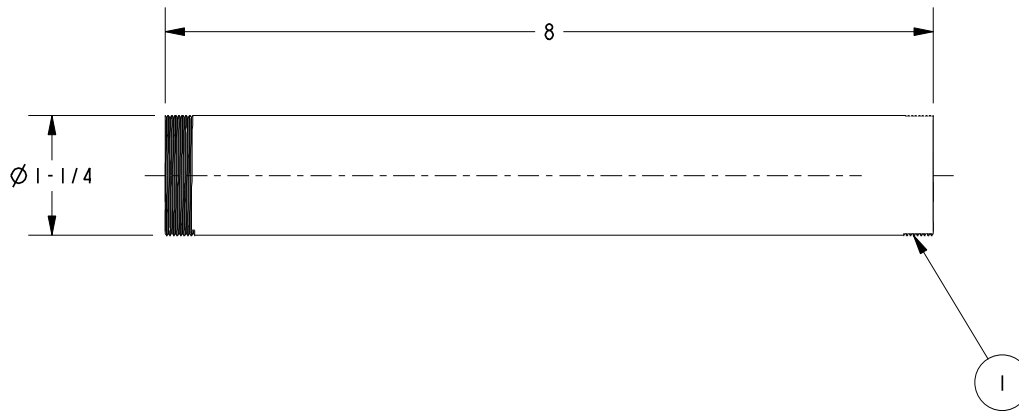
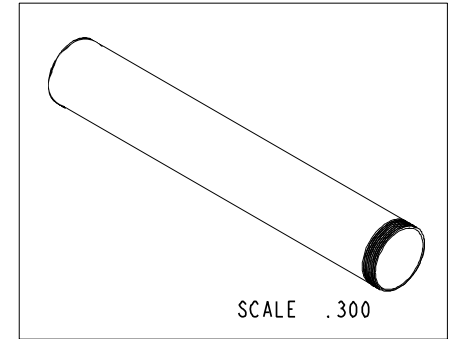
C

B

B

A

A



J.A.
3/2/18

COPYRIGHT 2005 BRASSTECH, INC. THESE DRAWINGS AND THE DESIGNS DEPICTED HEREIN ARE THE PROPRIETARY PROPERTY OF BRASSTECH. ANY USE OR REPRODUCTION IS SUBJECT TO THE EXPRESS APPROVAL OF BRASSTECH. UNAUTHORIZED USE IS STRICTLY PROHIBITED. ALL RIGHTS RESERVED.

BRASSTECH
INCORPORATED

2001 E. CARNEGIE AVE.
SANTA ANA, CA 92705
(949) 417-5207

TAIL PC.

ASSY. NO.	327		B	EN-1485	03/03/10	
SCALE	.500	REF.	-	A	EO-0937	01/30/08
SHEET	1	OF	1	-	RELEASE	PRE '95
REV		REV DESC				DATE

4

3

2

1