



Specifications

AP 124-SL SERIES

Slim Fit Bathroom Fan with 10W 4000K LED Light

Description: Super quiet slim fit bathroom fan with 10W 4000K 1150 dimmable Lumens LED light • Engineered for continuous run • Ceiling mount • Suitable for new construction or remodeling • HVI certified • ETL listed for use in insulated ceilings (Type I.C.).

Motor/Blower: Permanently lubricated enclosed condenser motor engineered for continuous energy efficient operation; power rating 120v/60Hz; motor equipped with thermal shut off.

Housing: Rugged 26 GA galvanized steel; 2 anti-vibration hangar bar brackets adjustable to 24" span included; designed for ceilings with a minimum of 6" clearance.

Duct: Detachable 4" and 6" duct connector with built-in back draft dampener.

Grille: Contemporary design; low maintenance, wipe clean UV inhibiting polymeric resin; attaches to housing with torsion springs.

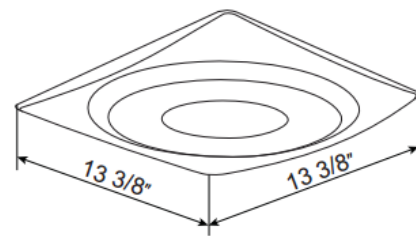
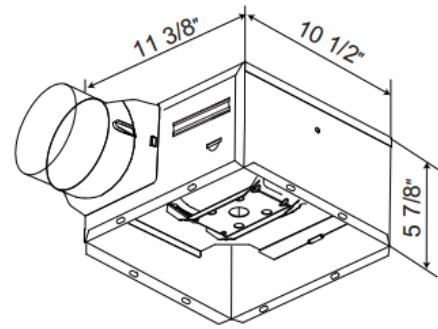
Finishes: White (W); Satin Nickel (SN); Oil Rubbed Bronze (OR).

Light: Dimmable 4000K 1150 Lumens LED light

Installation: Must be installed by a licensed professional. Complete installation instructions included.

Warranty: Six (6) Years

Architect's Specifications: Ventilation fan will be ceiling mount no more than 0.9 sones at 120 CFM as certified by HVI at 0.1 Ps (inches water gauge). Power consumption shall be no greater than 33 watts with an efficiency rating of no less than 3.4 CFM/watt. Light shall be 10W 4000K LED light. The motor will be permanently lubricated, engineered for continuous operation. Duct diameter will be 6" round. Fan shall be ETL/cETL listed for tub/shower enclosure when used with GFCI branch circuit wiring and shall be ETL/cETL listed for use in insulated ceiling (Type I.C.).



ETL Listed for installation over tub/shower enclosure with GFCI circuit wiring.

Model: AP124-SL Series	6" Duct	
Static Pressure (inches w.g.)	0.1	0.25
Air Volume (CFM)	120	105
Noise (sones)	0.9	n/a
Power Consumption (Watts)	33	32.3
Energy Efficiency (CFM/Watts)	3.6	3.26
Current (AMPS)	0.28	0.27
Grille Dimensions	13 3/8" x 13 3/8"	



Model	Qty	Comments	Project
			Location
			Architect
			Engineer
			Contractor
			Submitted by
			Date

